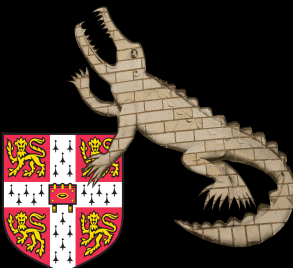


ANUBIS

AN Underground Belayed In-Shaft search experiment

Giulio Aielli • Martin Bauer • Oleg Brandt • Lawrence Lee •
Christian Ohm • Bálint Szepefalvi
Birmingham Particle Physics Seminar, 9/12/2020



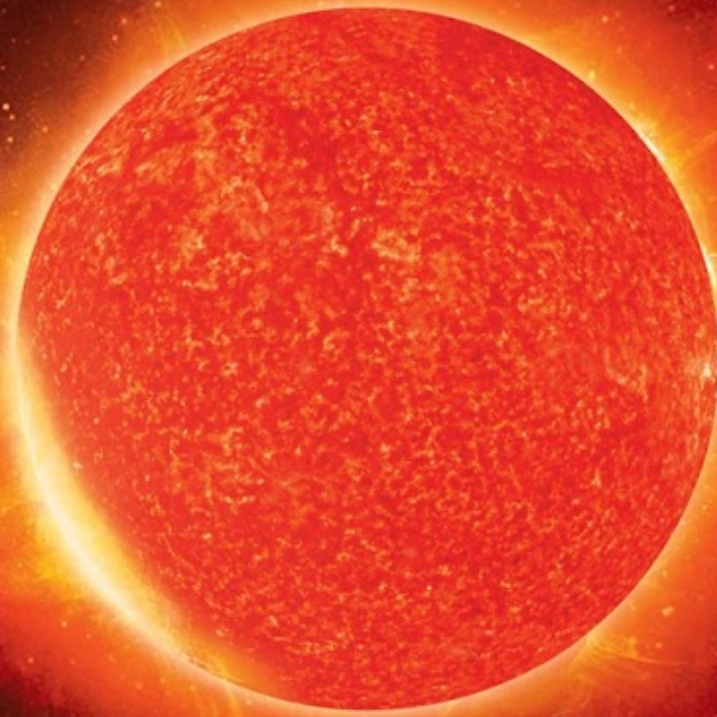


Why long-lived particles?

A high-angle, wide shot of a large circular particle detector, likely ATLAS or CMS at the LHC. The detector is composed of many layers of golden-colored calorimeters arranged in a circular pattern. In the center, a worker wearing a hard hat and safety vest is standing on a metal platform, possibly performing maintenance or inspection. The background shows the complex structure of the detector and the surrounding tunnel.

Collider experiments are designed to search for prompt decays. New particles with microscopic lifetimes are strongly constrained by LHC searches.

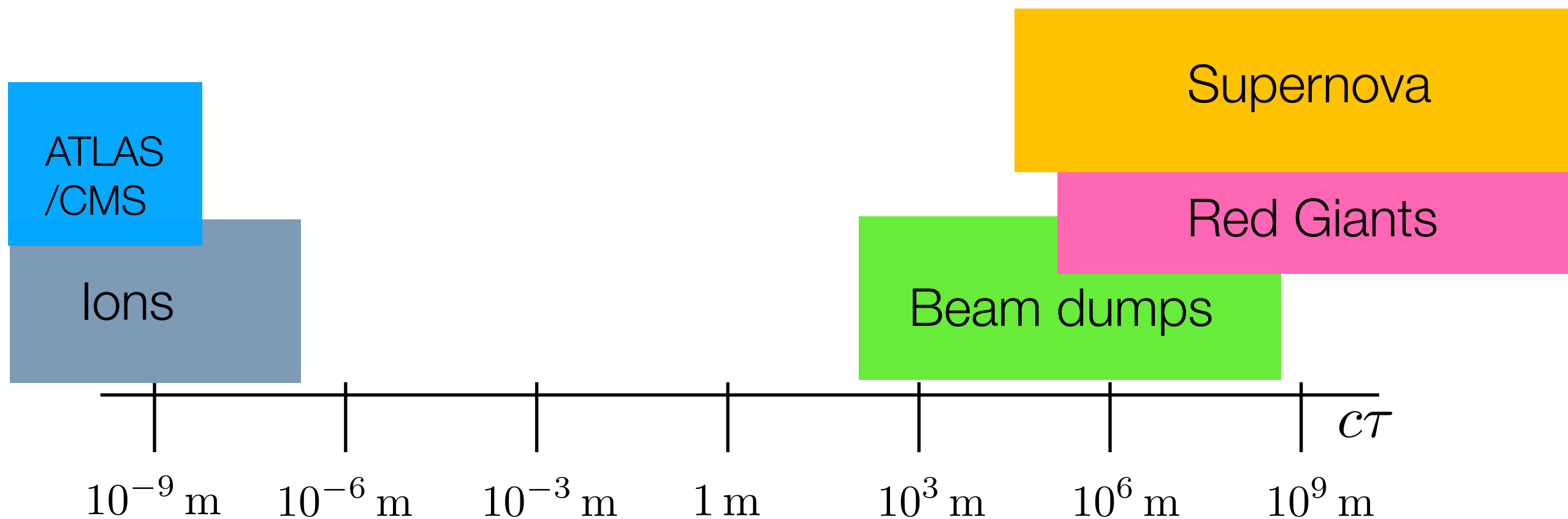
Why long-lived particles?



Very long-lived particles are constrained by astrophysical observables and beam-dump experiments.

Why long-lived particles?

For particles with “intermediate lifetimes” there exists a sensitivity gap

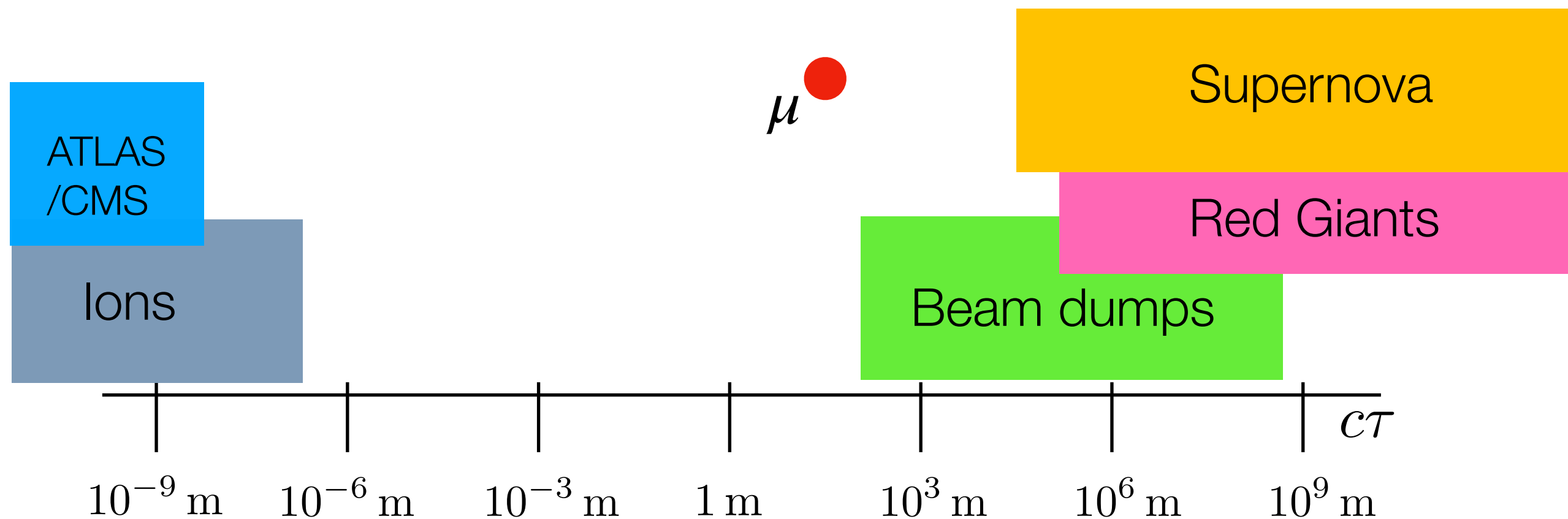


Constrains new Physics
with sizeable interactions
with the SM

Constrains new Physics
with no (tiny) interactions
with the SM (almost stable)

Why long-lived particles?

This is not a small class of exotic theories. Muons are “collider-stable” (as is the K_L , n).



Constrains new Physics
with sizeable interactions
with the SM

Constrains new Physics
with no (tiny) interactions
with the SM (almost stable)

Where to look for long-lived particles?

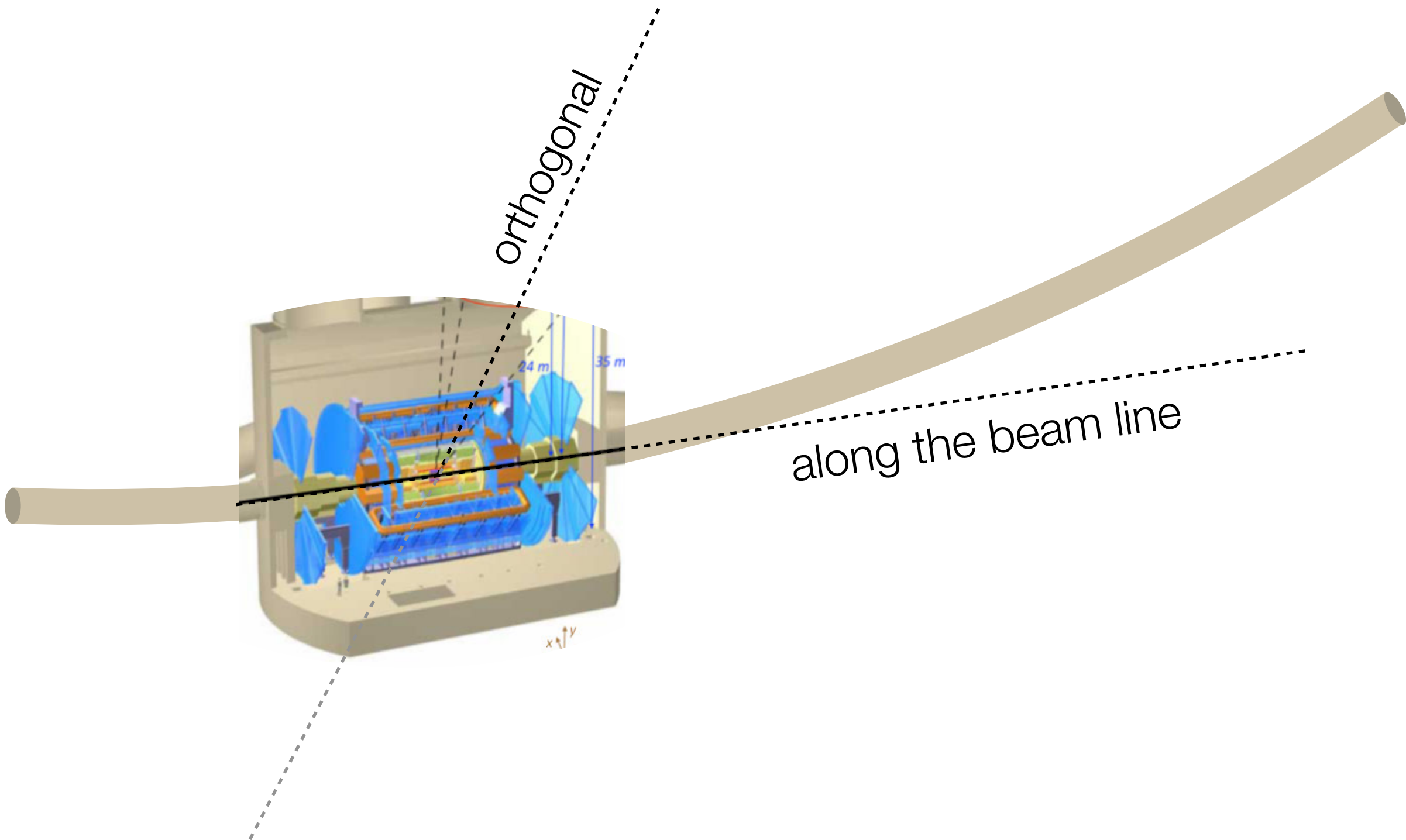
There are two different search strategies:

- Search for very weakly coupled *light particles* with high statistics
- Search for particles in the decays of *heavy states* (the Higgs, new heavy mediators)

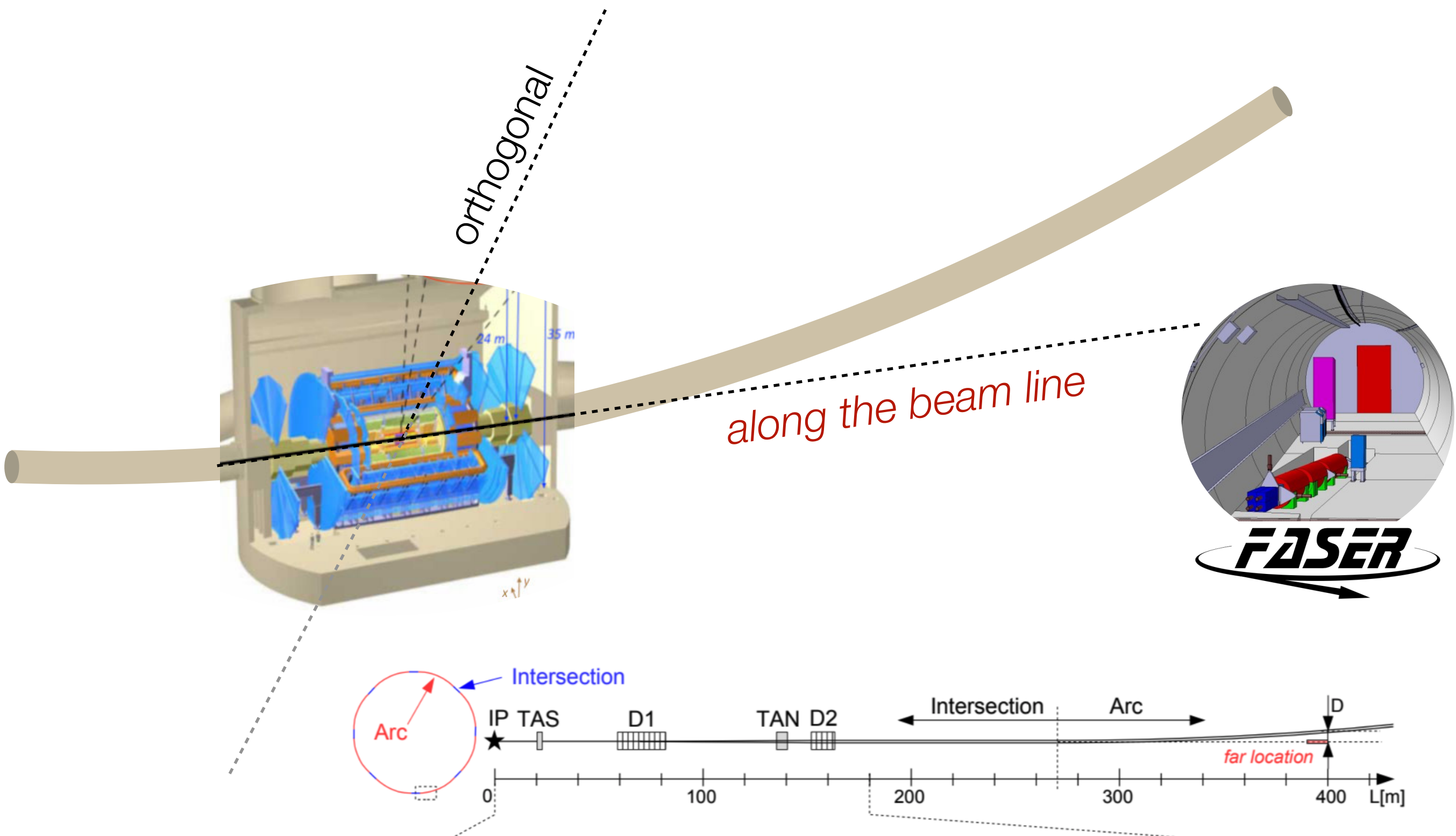
With respect to the LHC, this corresponds to two different measurement regions:

- Measurements *along* the beam line (“on-axis”)
- Measurements *orthogonal* to the beam line (“off-axis”)

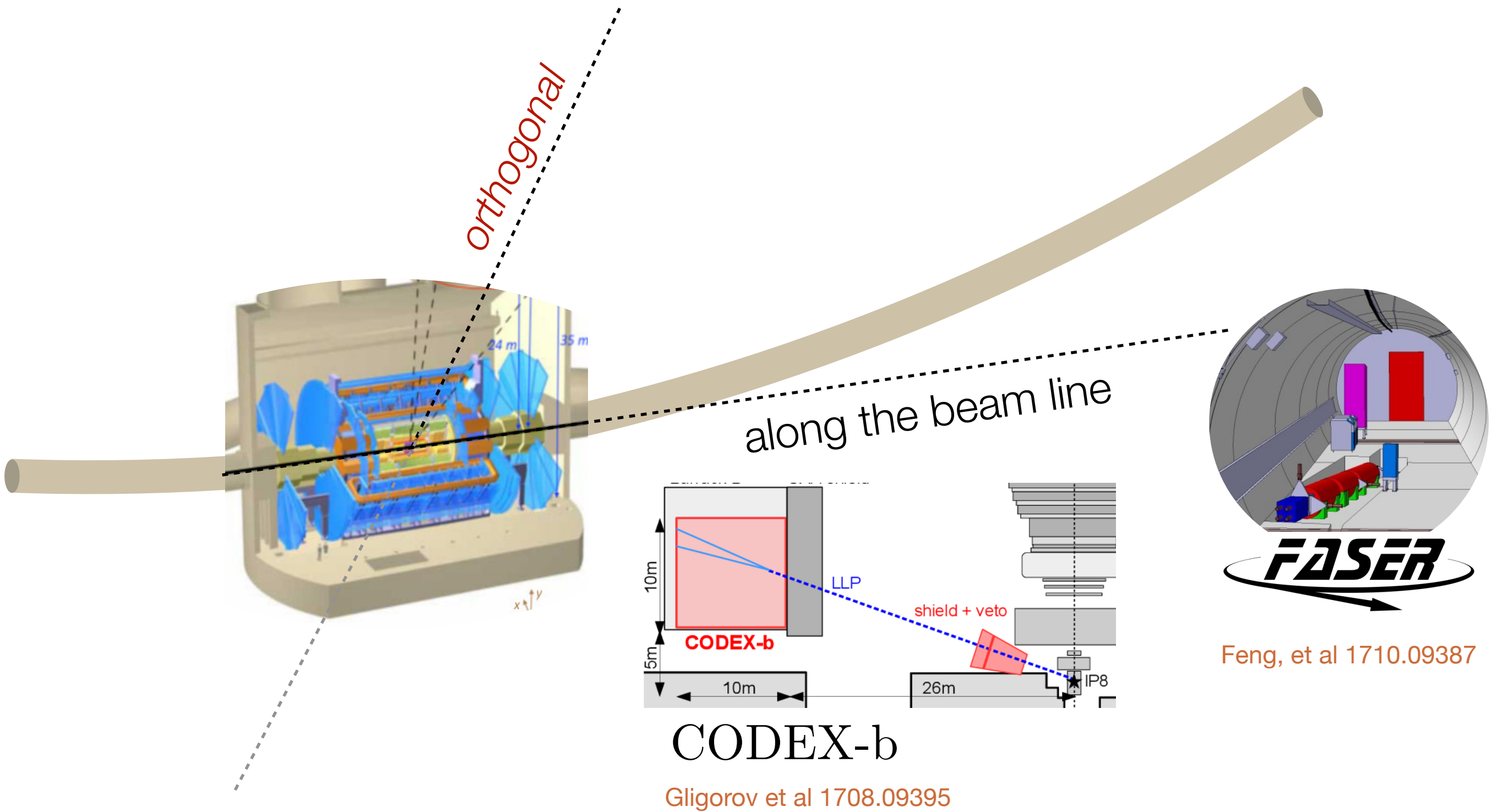
Where to look for long-lived particles?



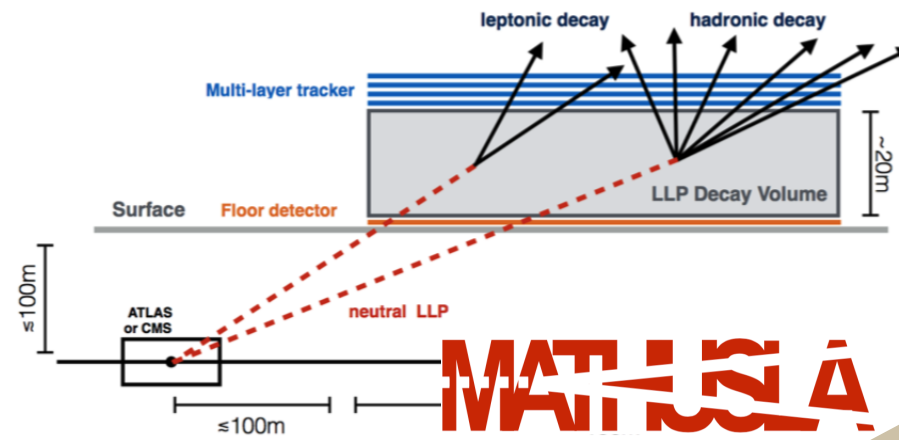
Where to look for long-lived particles?



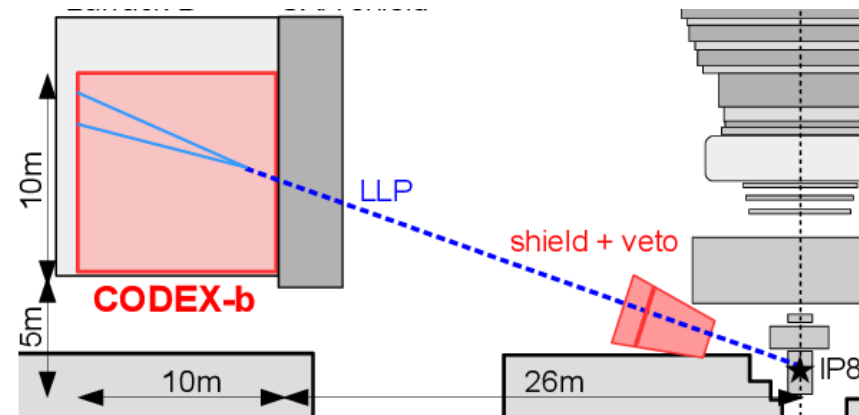
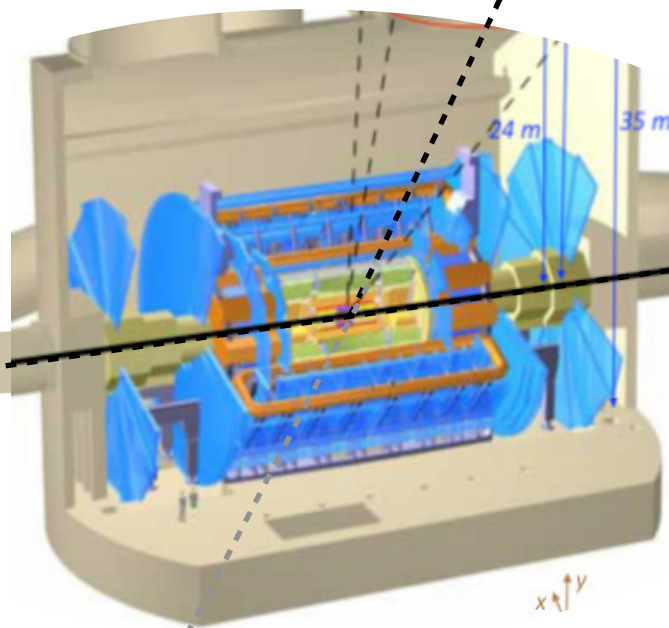
Where to look for long-lived particles?



Where to look for long-lived particles?

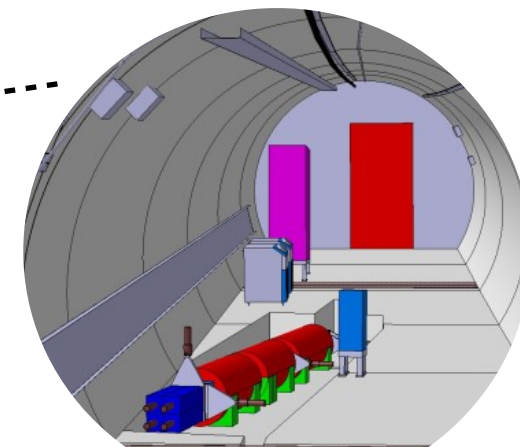


Chou et al 1606.06298



CODEX-b


Gligorov et al 1708.09395

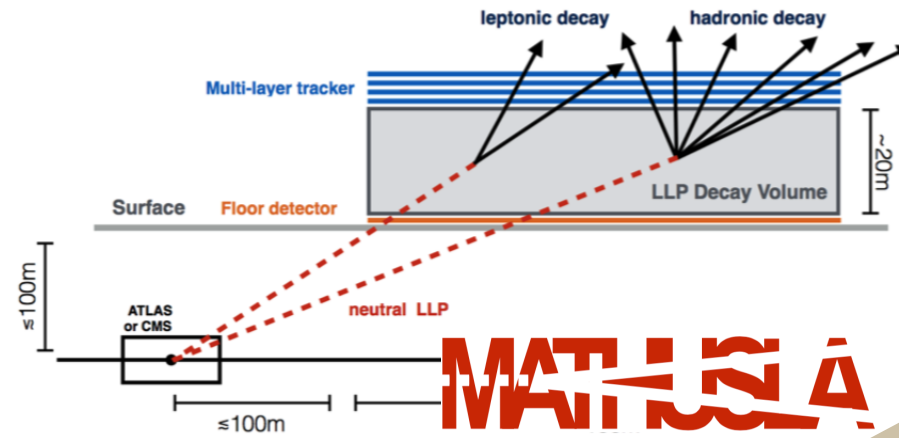
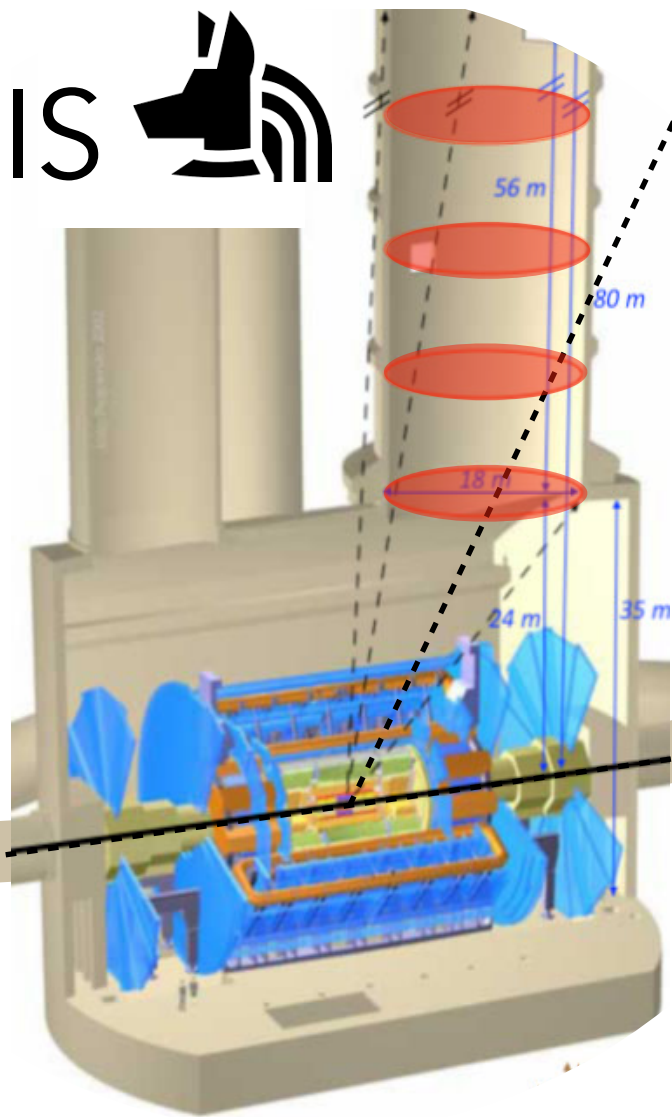


FASER

Feng, et al 1710.09387

Where to look for long-lived particles?

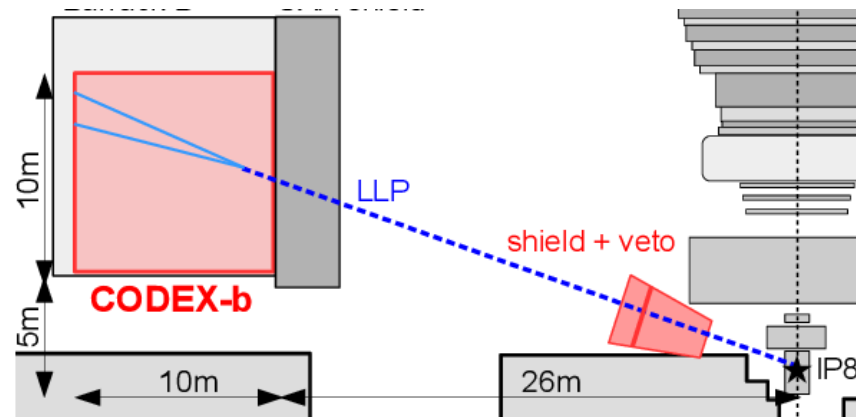
ANUBIS 



Chou et al 1606.06298

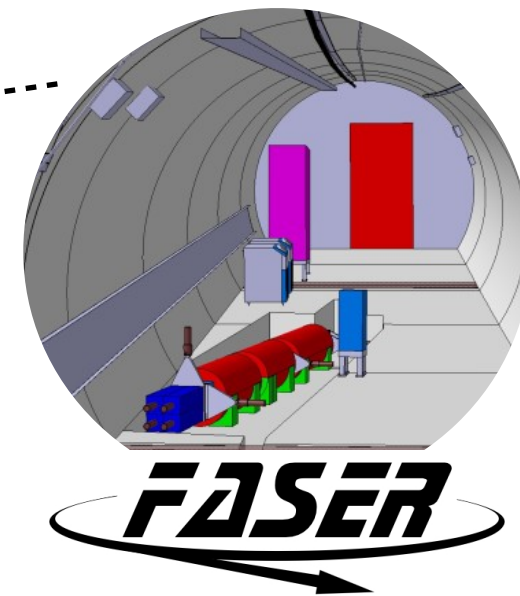
We propose to instrument the ATLAS service shaft

Bauer, OB, Lee, Ohm 1909.13022



CODEX-b

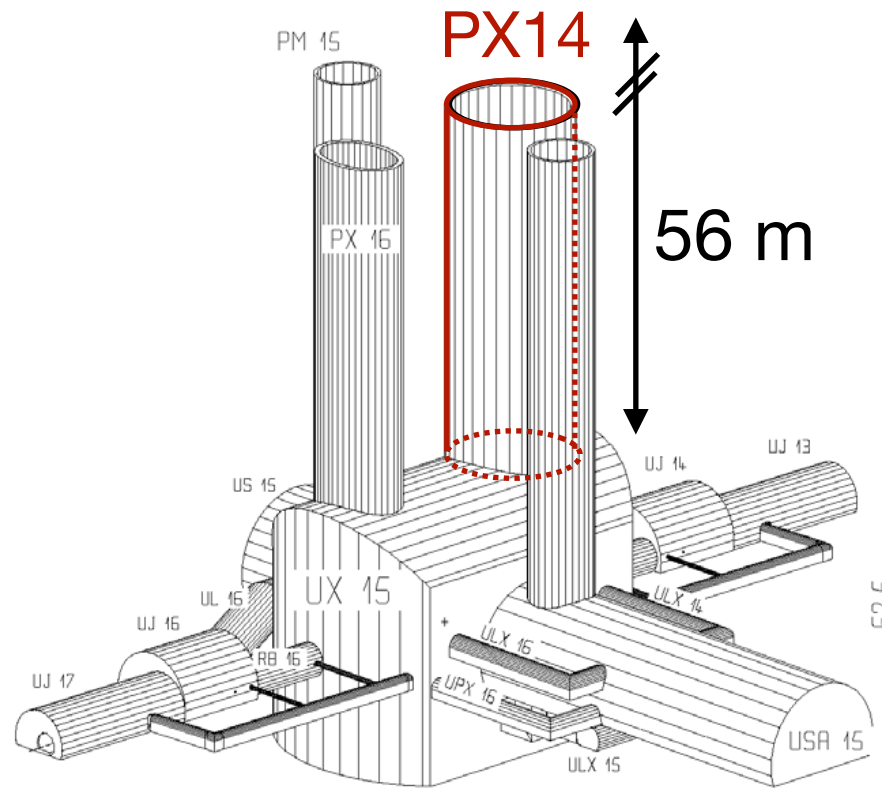
Gligorov et al 1708.09395



Feng, et al 1710.09387

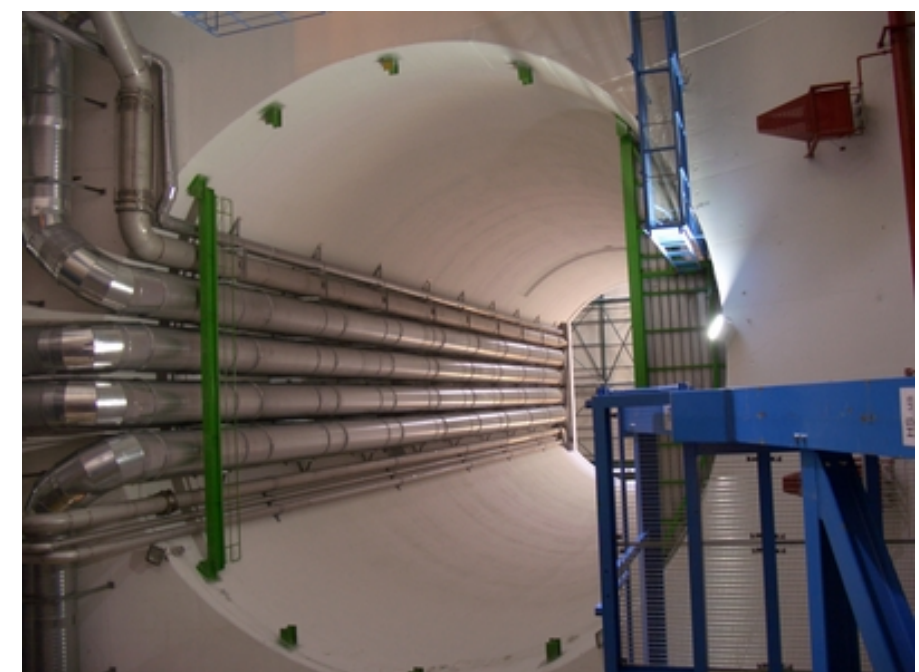
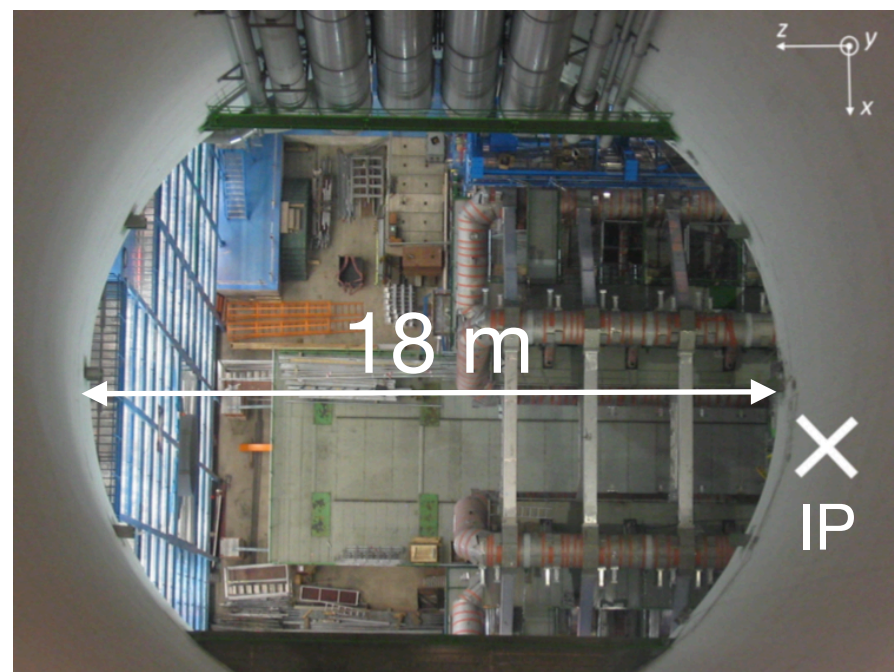


ANUBIS: idea



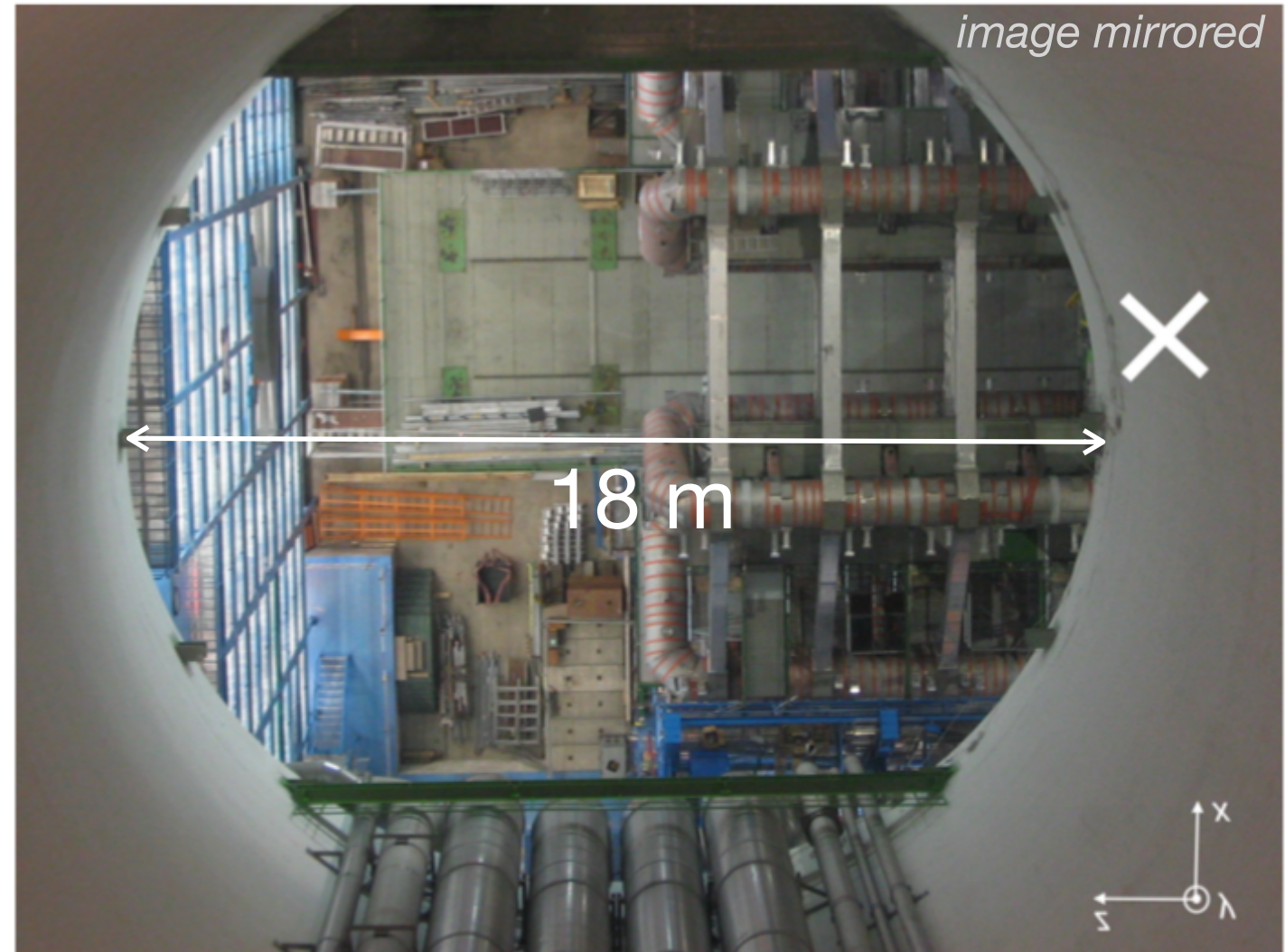
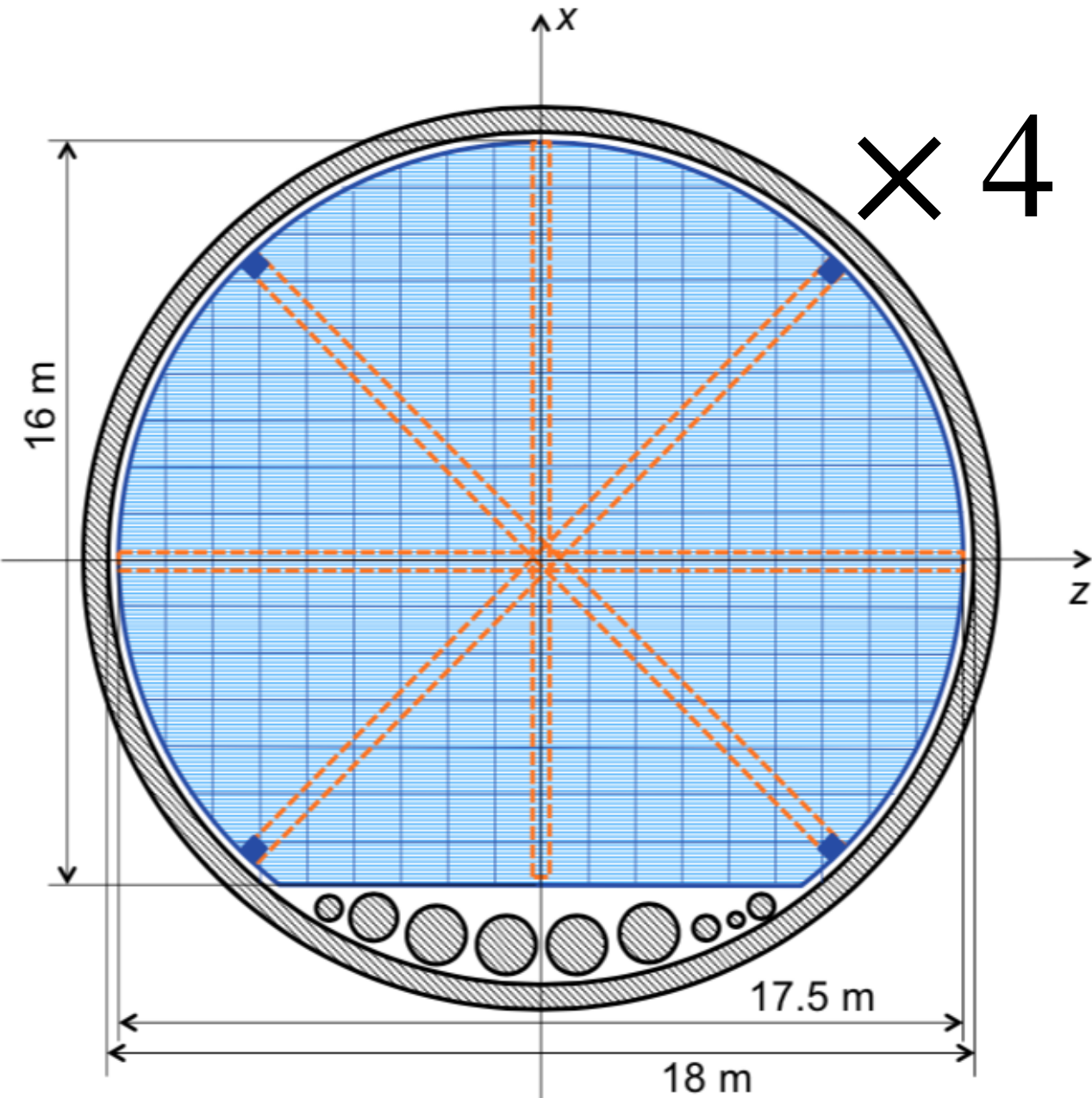
cranes can support up to 270 t

- Existing geometry allows for minimal civil engineering costs
- Projective decay volume optimises acceptance for different lifetimes



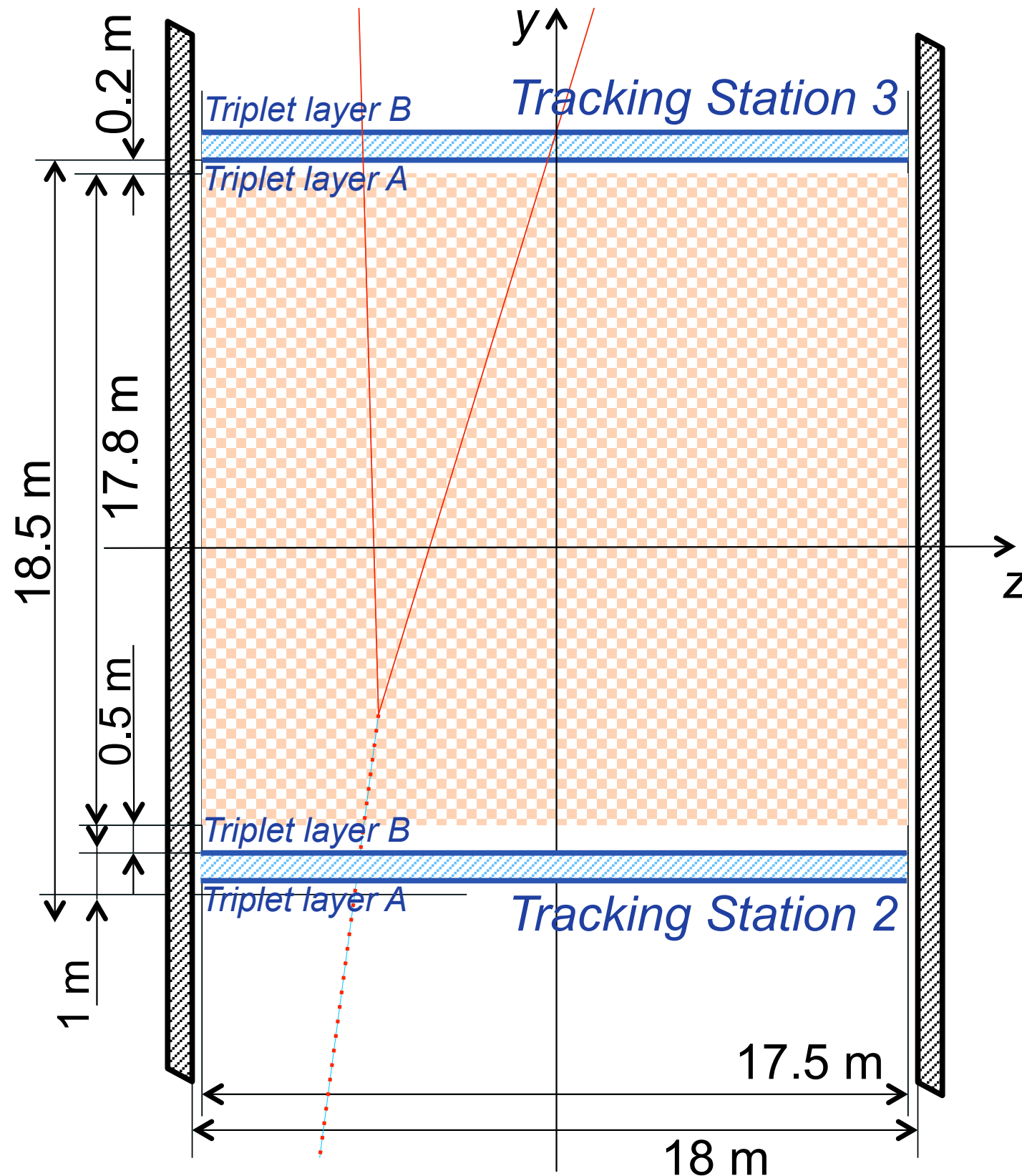


ANUBIS: idea



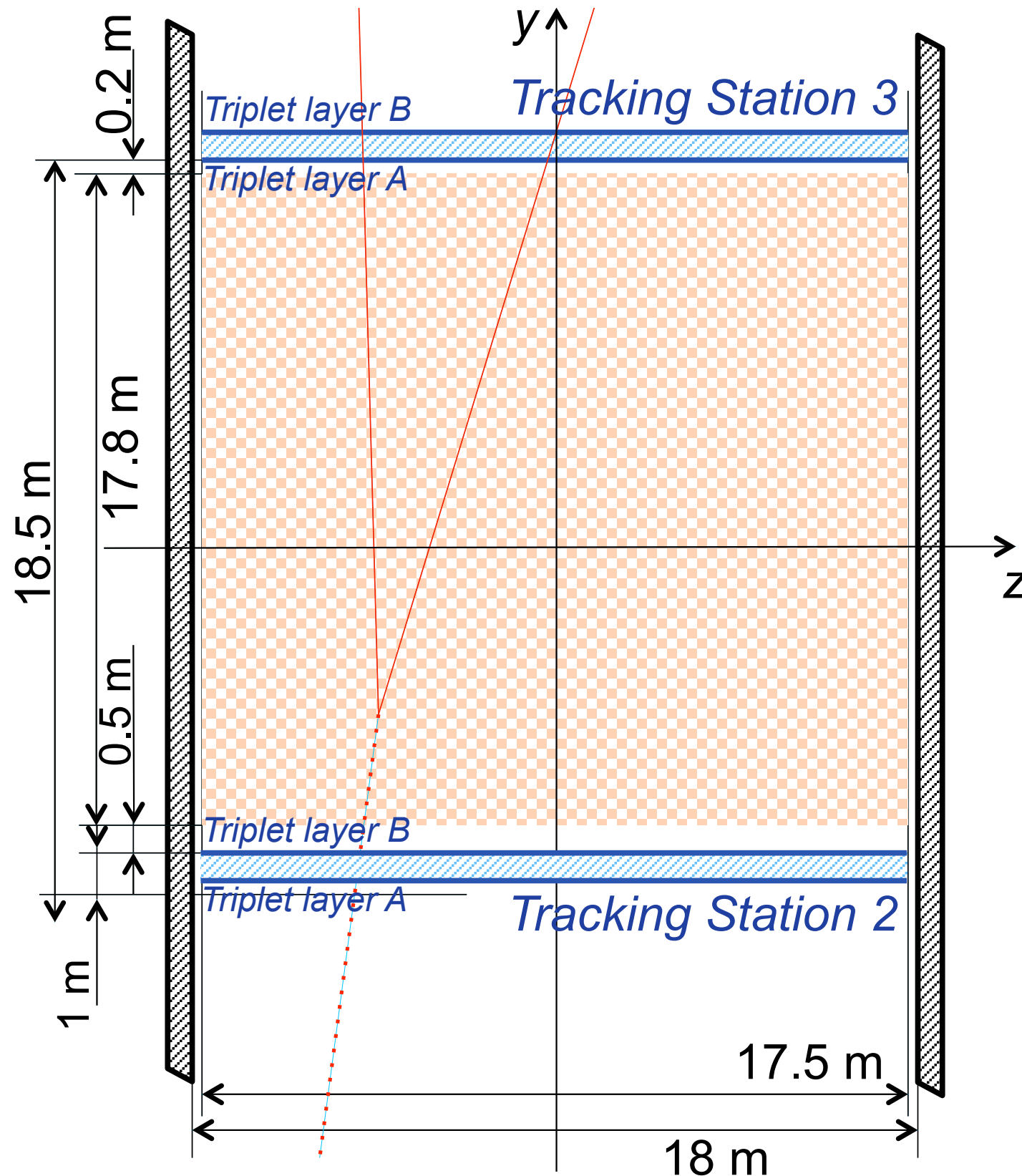
Current proposal:
Four evenly spaced tracking stations with
a **cross-sectional area** of 230 m² each

ANUBIS: detector concept



Parameter	Specification
Time resolution	$\delta t \lesssim 0.5$ ns
Angular resolution	$\delta \alpha \lesssim 0.01$ rad
Spatial resolution	$\delta x, \delta z \lesssim 0.5$ cm
Per-layer hit efficiency	$\epsilon \gtrsim 98\%$

ANUBIS: detector concept

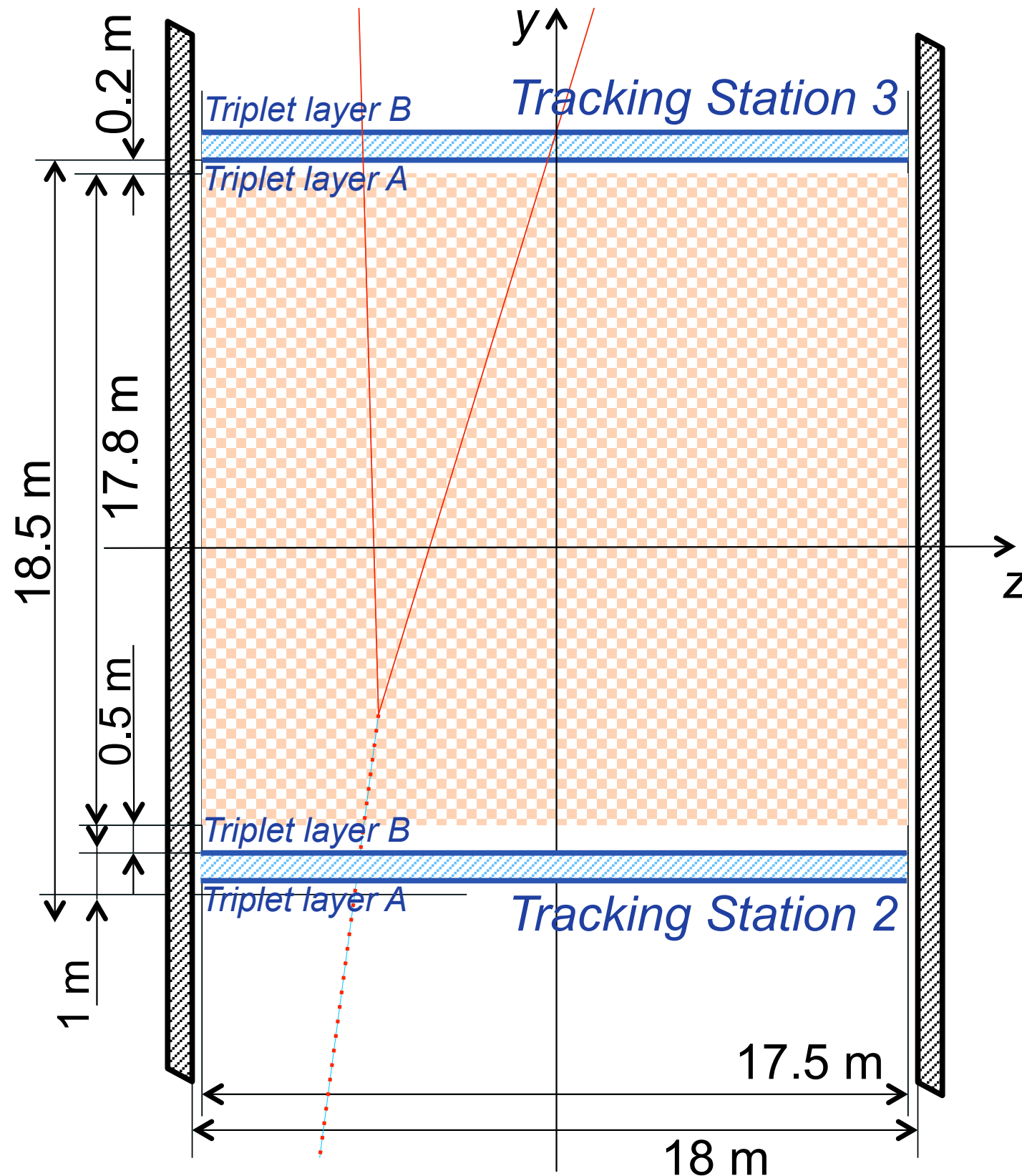


Parameter	Specification
Time resolution	$\delta t \lesssim 0.5$ ns
Angular resolution	$\delta \alpha \lesssim 0.01$ rad
Spatial resolution	$\delta x, \delta z \lesssim 0.5$ cm
Per-layer hit efficiency	$\varepsilon \gtrsim 98\%$

Timing:

- Fiducialise volume:
 $\delta y_{DV} \approx 15$ cm
- Eliminate backgrounds
e.g. cosmics, non-collision
- measure β

ANUBIS: detector concept

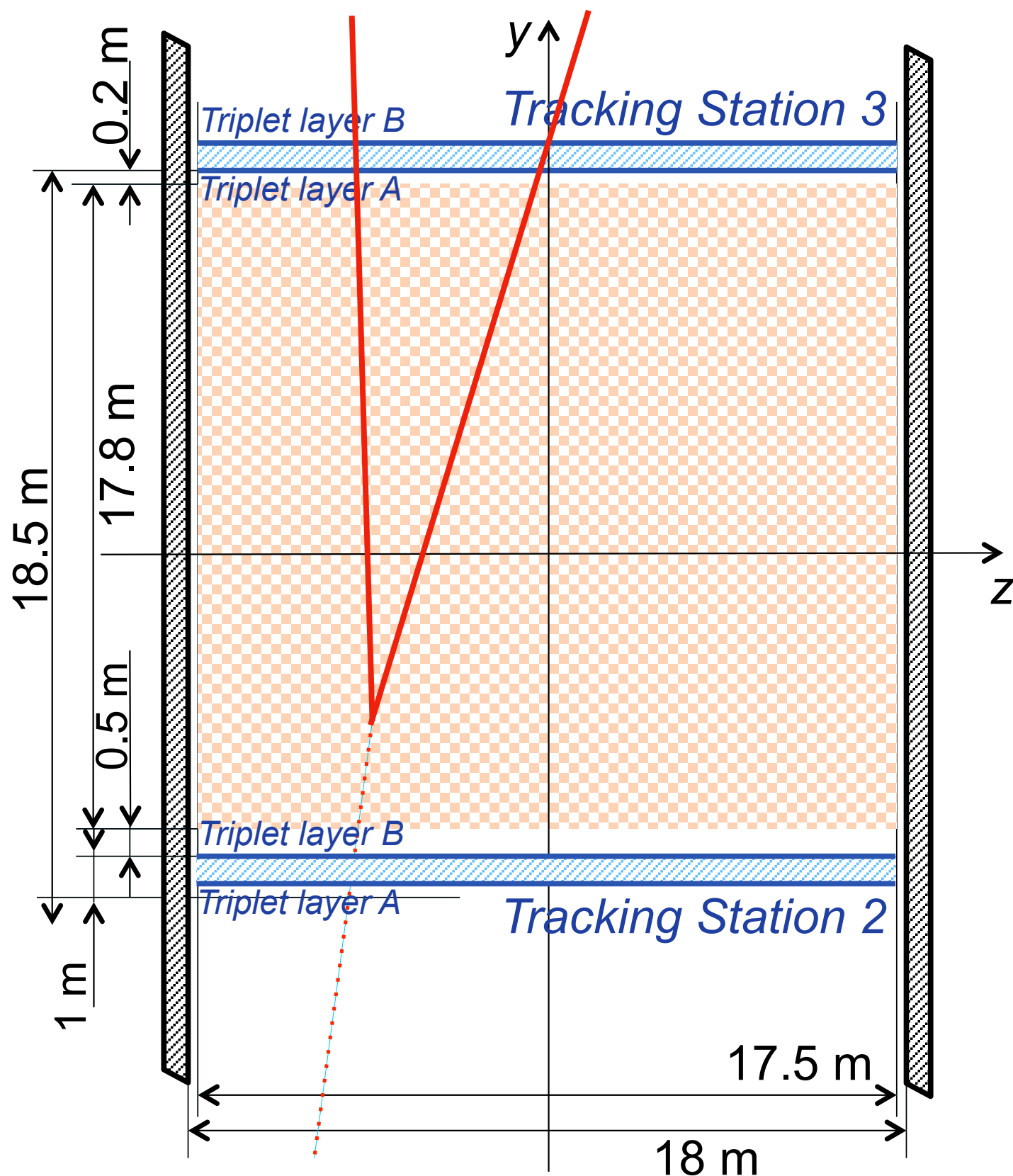


Parameter	Specification
Time resolution	$\delta t \lesssim 0.5 \text{ ns}$
Angular resolution	$\delta \alpha \lesssim 0.01 \text{ rad}$
Spatial resolution	$\delta x, \delta z \lesssim 0.5 \text{ cm}$
Per-layer hit efficiency	$\varepsilon \gtrsim 98\%$

Efficiency:

- Detect signal
- Reject backgrounds

ANUBIS: detector concept



Parameter	Specification
Time resolution	$\delta t \lesssim 0.5$ ns
Angular resolution	$\delta\alpha \lesssim 0.01$ rad
Spatial resolution	$\delta x, \delta z \lesssim 0.5$ cm
Per-layer hit efficiency	$\varepsilon \gtrsim 98\%$

- Angular & spatial resolution:
- Reconstruct displaced vertices:
reach $m_{\text{LLP}} \gtrsim K_L$
for $m_{\text{mediator}} \approx 100$ GeV
 - Fiducialise volume



Aside: angular resolution

- Consider decay into two particles — this is the most challenging case!
 - Higher multiplicity → easier reconstruction & (even) lower backgrounds

- Assume mediator at EW scale (e.g. 125 GeV Higgs):

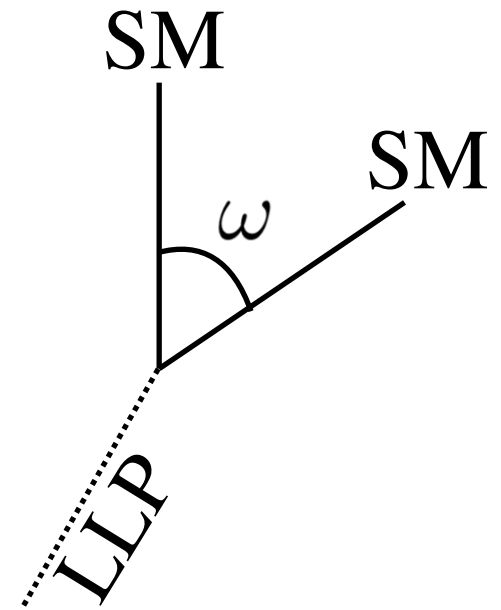
$$m_{\text{med}} \approx 100 \text{ GeV}$$

- Average boost from pure kinematics:

$$\frac{m_{\text{med}}}{2m_{\text{LLP}}} \Rightarrow m_{\text{LLP}} \approx \frac{1}{2} m_{\text{med}} \cdot \omega$$

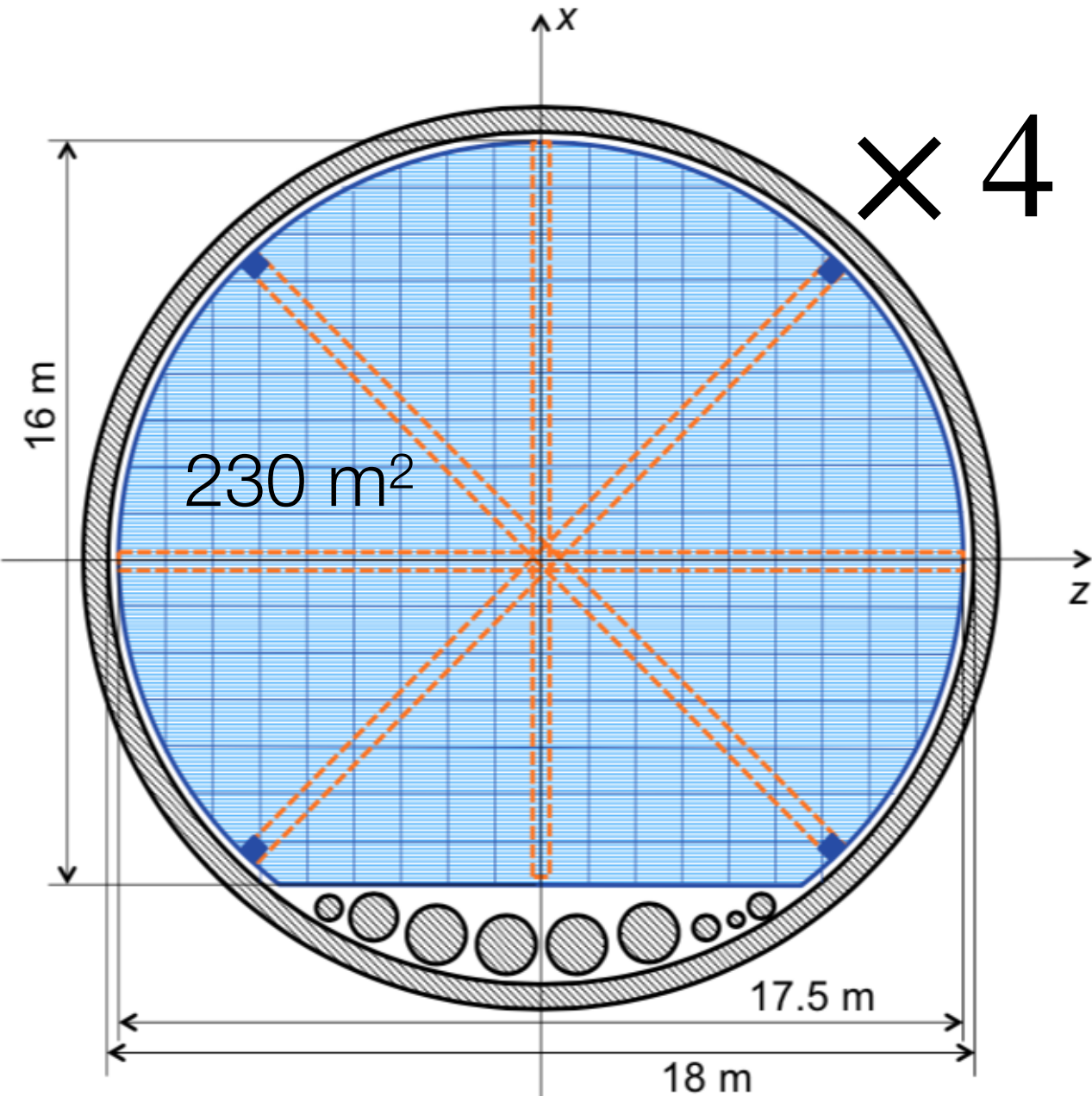
- Assume symmetric LLP decay

$$\delta\omega \approx \sqrt{2} \cdot \delta\alpha$$





ANUBIS: detector concept

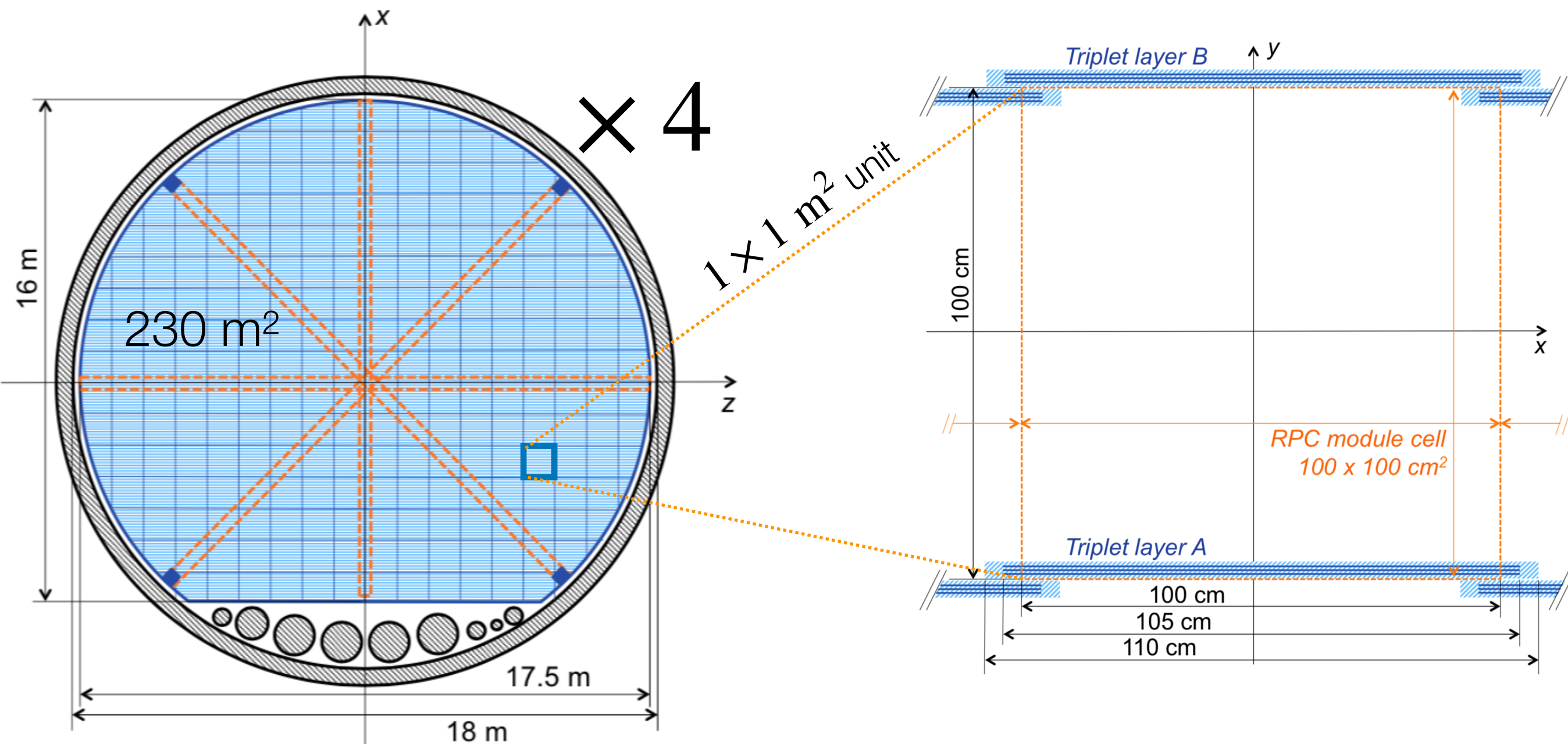


Tracking stations affixed with *cams*:
extract tracking stations to surface
quickly & easily in an emergency





ANUBIS: detector concept



Tracking stations affixed with cams:
extract tracking stations to surface
quickly & easily in an emergency

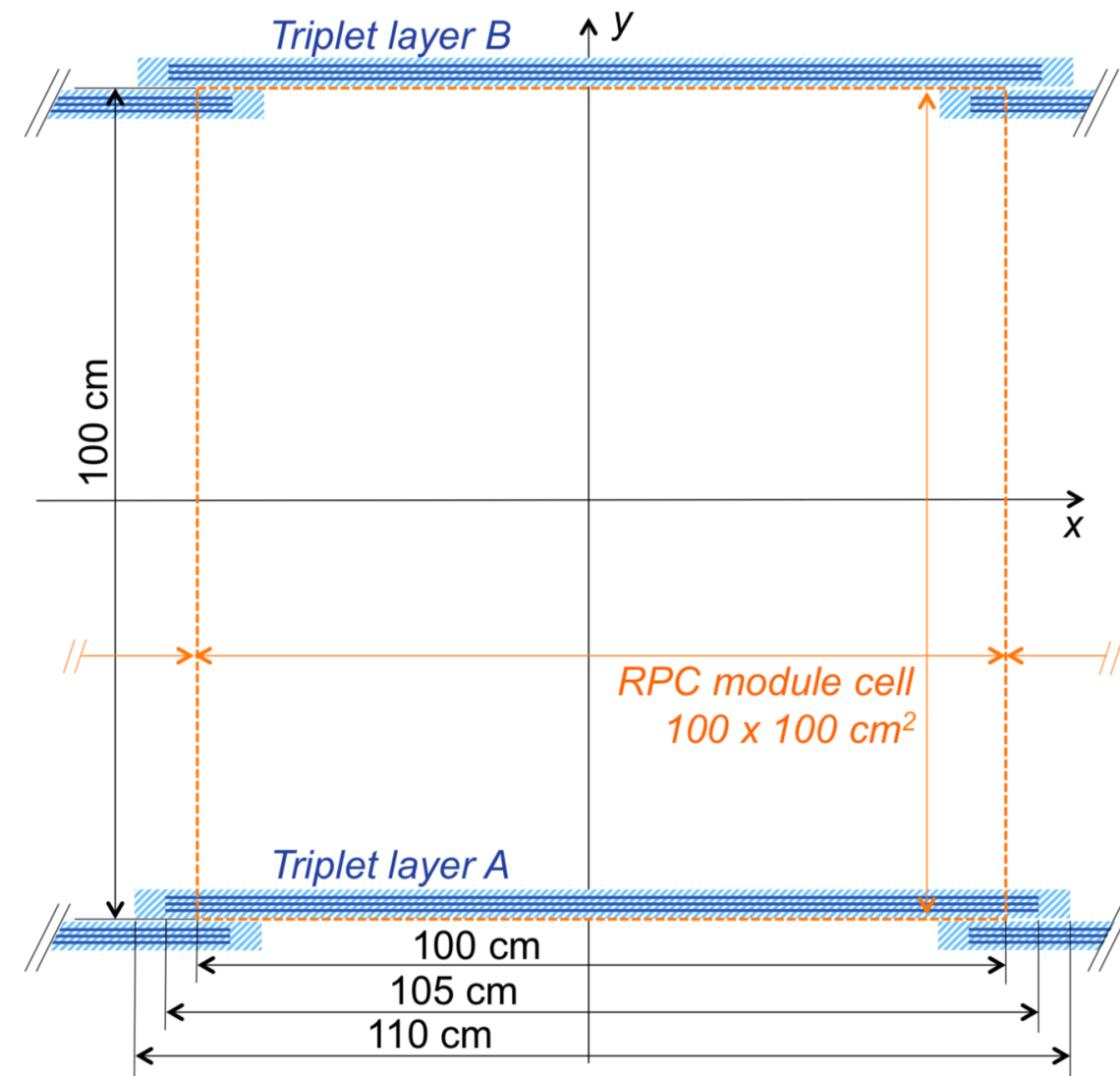
Parameter	Specification
Time resolution	$\delta t \lesssim 0.5 \text{ ns}$
Angular resolution	$\delta \alpha \lesssim 0.01 \text{ rad}$
Spatial resolution	$\delta x, \delta z \lesssim 0.5 \text{ cm}$
Per-layer hit efficiency	$\epsilon \gtrsim 98\%$

ANUBIS: detector technology



Possible detector technology:

- Resistive Plate Chamber technology; ANUBIS performance specifications met by ATLAS *BIS-7 prototype* (ongoing upgrade): triplet of layers with 0.4 ns time resolution, 0.1 cm spatial resolution
- $2.3 \times 10^3 \text{ m}^2$ total instrumented area @3.1k€/m² (including mechanics, gas gap, strips, front-ends and production yield): *~10 M€, scales with m²*
Each tracking station weighs 230 m² x 51 kg/m² ~ 30 tons (OK)
- Other possibilities like finely granulated scintillators, scintillating fibres to explore
- Not likely to further reduce costs



Parameter	Specification
Time resolution	$\delta t \lesssim 0.5 \text{ ns}$
Angular resolution	$\delta \alpha \lesssim 0.01 \text{ rad}$
Spatial resolution	$\delta x, \delta z \lesssim 0.5 \text{ cm}$
Per-layer hit efficiency	$\epsilon \gtrsim 98\%$



ANUBIS: backgrounds

It should be possible to dramatically reduce backgrounds.

The ATLAS detector serves:

- as a passive shield:
calorimeters account for ~ 10 nuclear interaction lengths λ_I
- as an *active veto*:
high- p_T neutral particles (n, K_L) typically come with energetic jets

Almost background-free by requiring isolation in $\Delta R(DV, x)$

- from inner detector tracks
- from calorimeter jets
- from muon spectrometer tracks

Achieve this by *ANUBIS triggering the readout of ATLAS*



ANUBIS: backgrounds

It should be possible to dramatically reduce backgrounds.

The ATLAS detector serves:

- as a passive shield:
calorimeters account for ~ 10 nuclear interaction lengths λ_I
- as an *active veto*:
high- p_T neutral particles (n, K_L) typically come with energetic jets

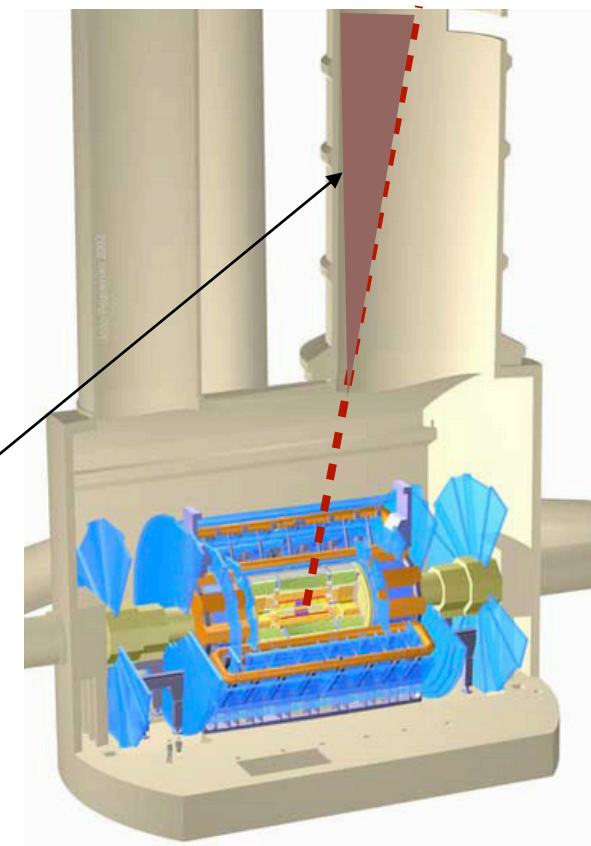
Almost background-free by requiring isolation in $\Delta R(DV, x)$

- from inner detector tracks
- from calorimeter jets
- from muon spectrometer tracks

Achieve this by *ANUBIS triggering the readout of ATLAS*

Additional shielding by rock between the interaction point and some regions of the tracking stations:

-> useful as control region

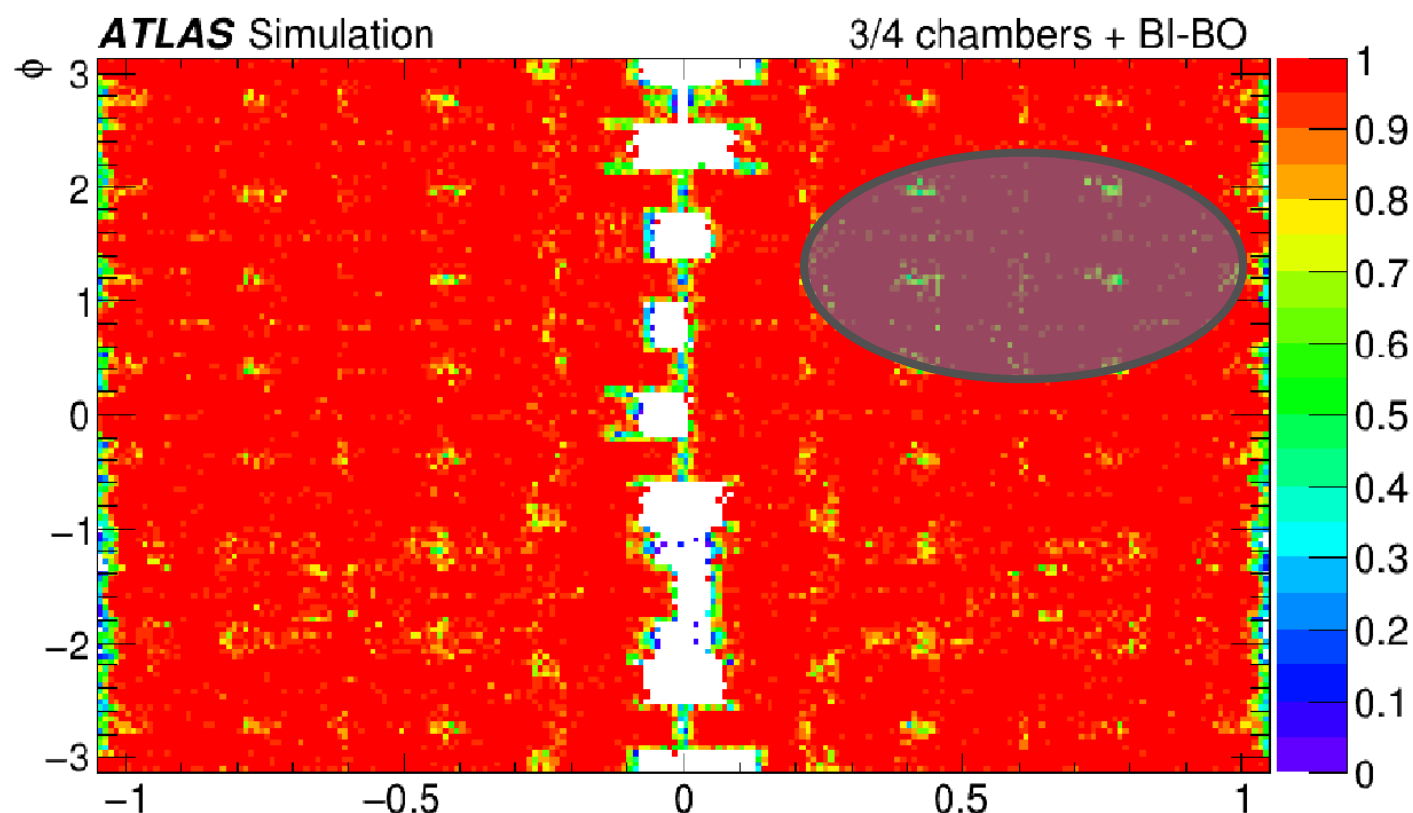
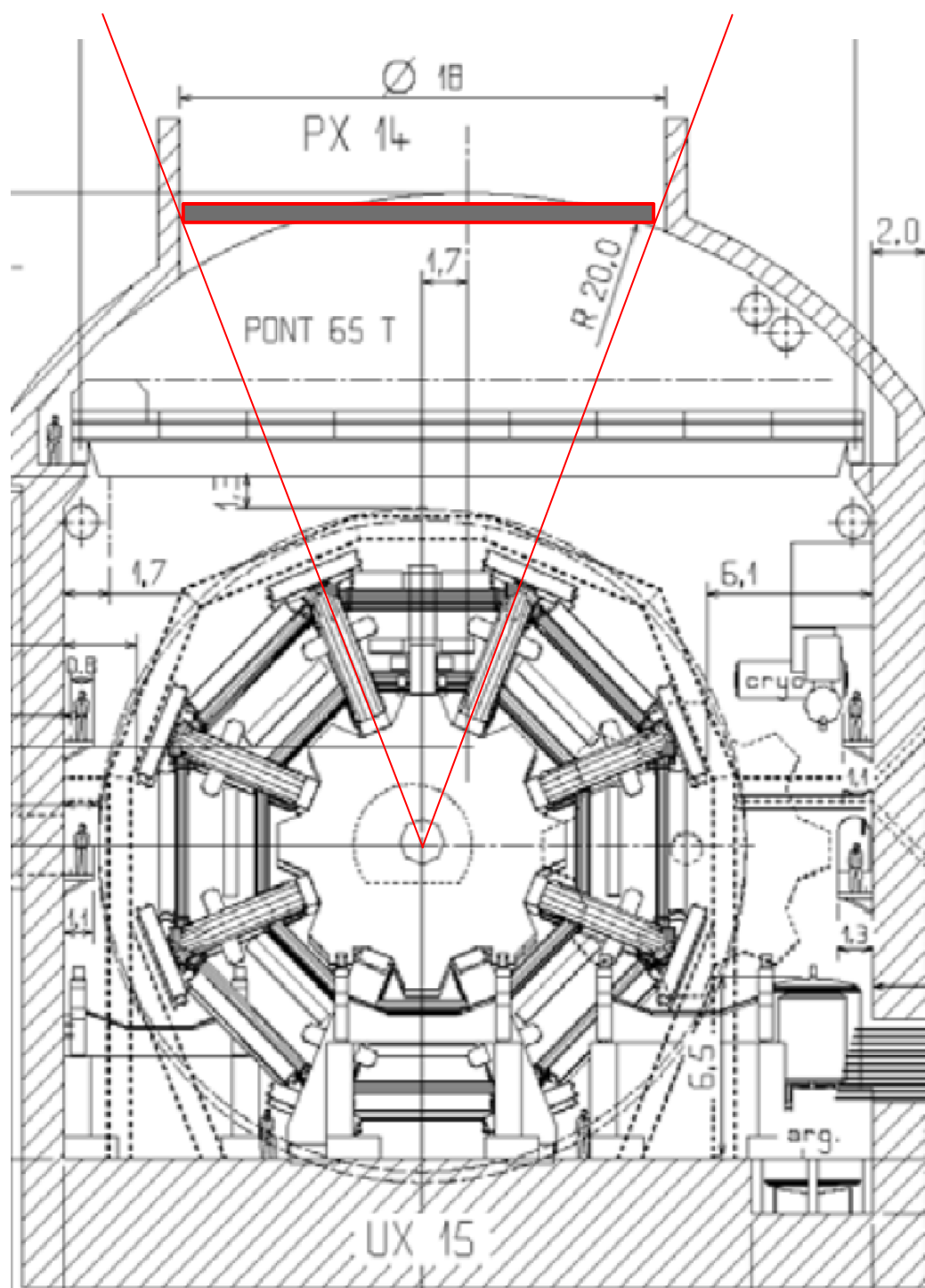




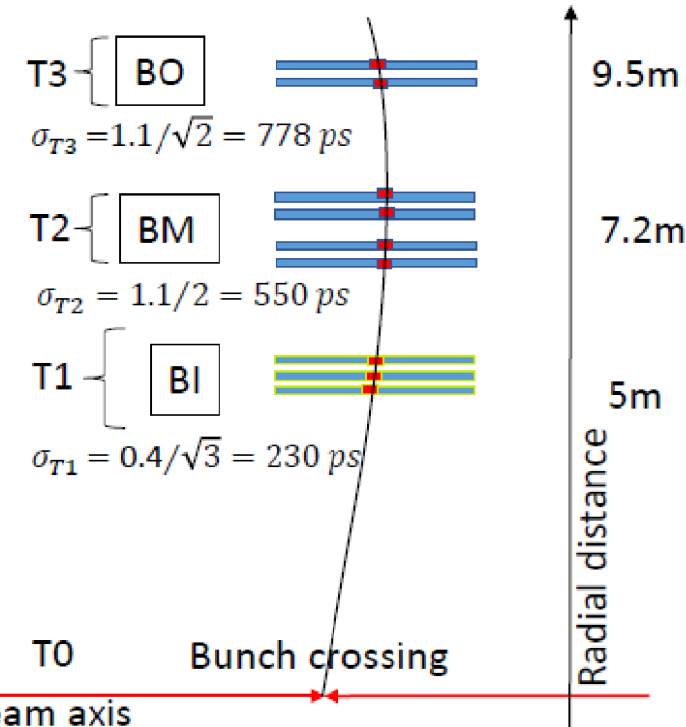
ANUBIS + ATLAS

Active veto: good coverage by ATLAS:

- Inner detector + calorimeters + muon spectrometer (below):



- Same RPC technology as ANUBIS
- New RPC layer in inner barrel
- 9 tracking layers
- 5 m independent lever arm

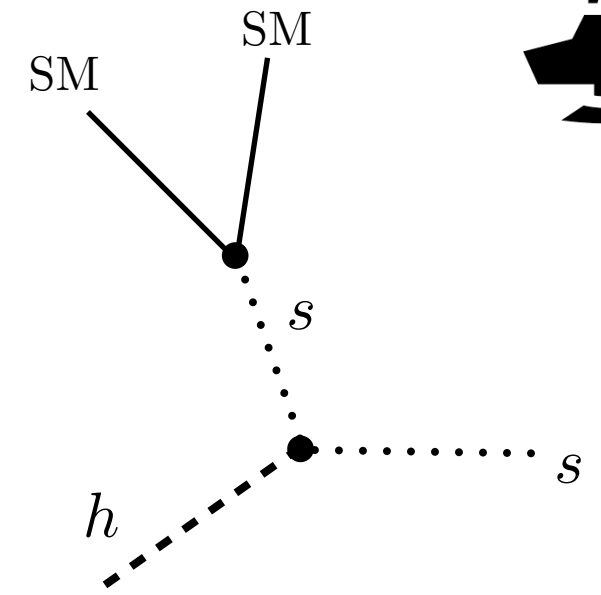


ANUBIS: sensitivity



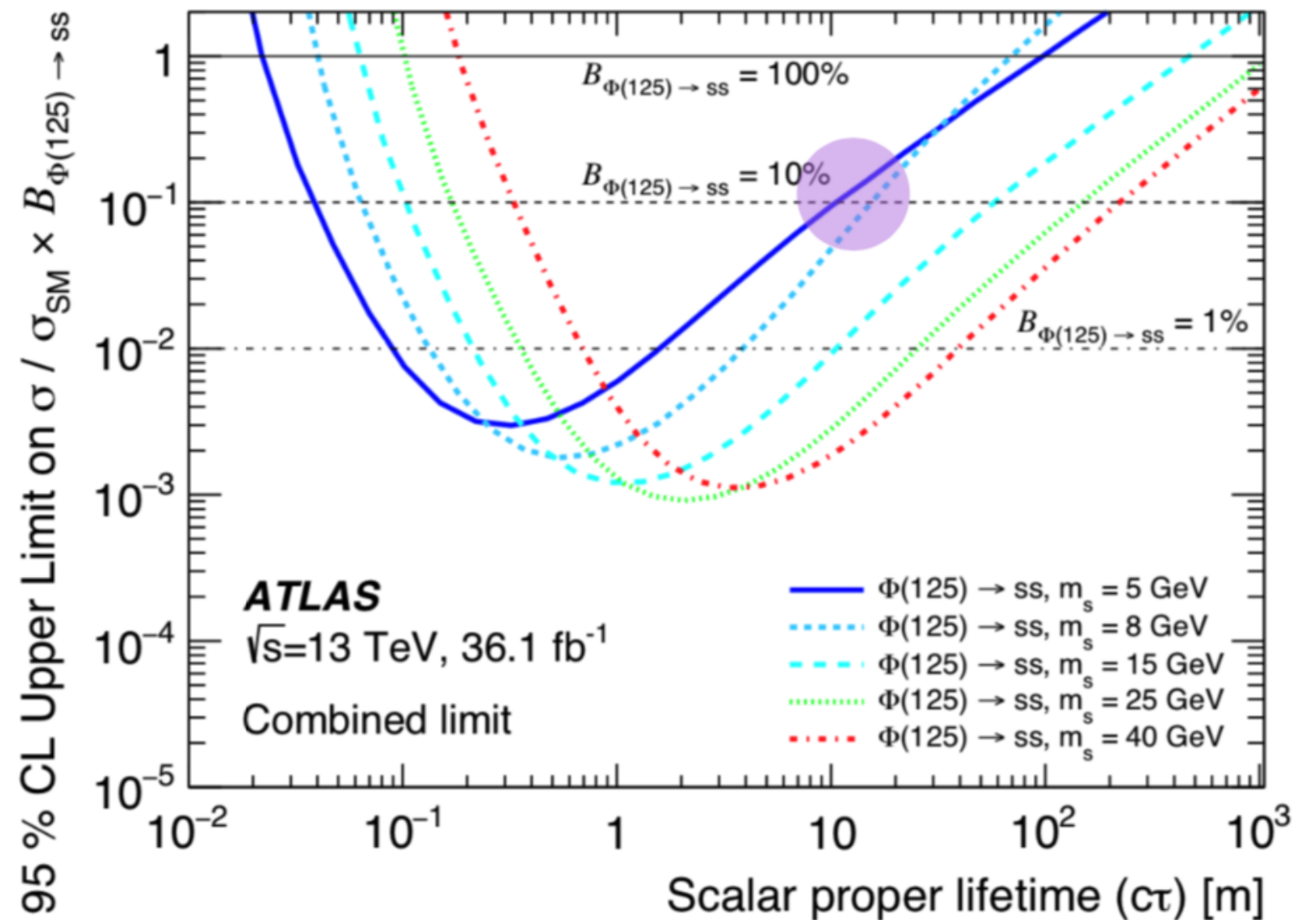
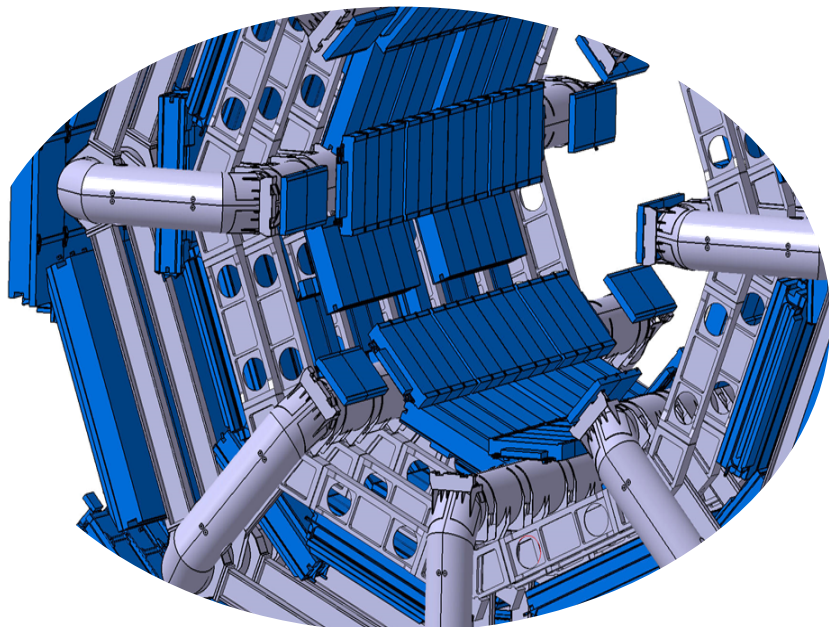
Sensitivity study for exotic Higgs decays

$$\mathcal{L} = \lambda_s^2 H^\dagger H \quad h \rightarrow ss, s \rightarrow \text{SM SM}$$



ATLAS searched for displaced vertices in the muon spectrometer.

ATLAS 1811.07370



ANUBIS: sensitivity



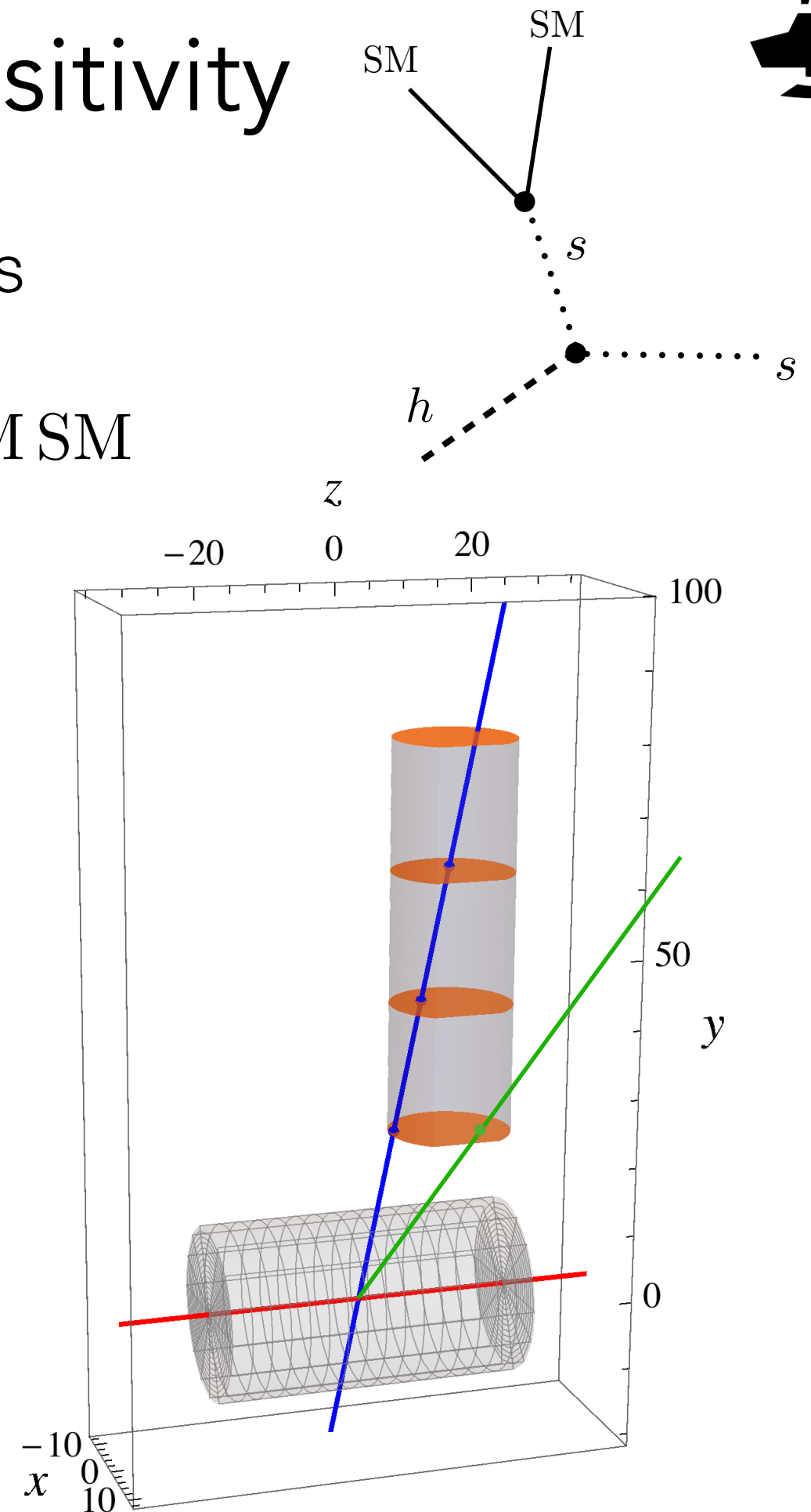
Sensitivity study for exotic Higgs decays

$$\mathcal{L} = \lambda s^2 H^\dagger H \quad h \rightarrow ss, s \rightarrow \text{SM SM}$$

We simulated the signal with MadGraph and require the LLP to penetrate ≥ 1 tracking station

We consider two background scenarios:

- optimistic (requiring 4+ events - similar to MATHUSLA)
- conservative (requiring 50+ events - similar backgr. to ATLAS muon spectrometer search)

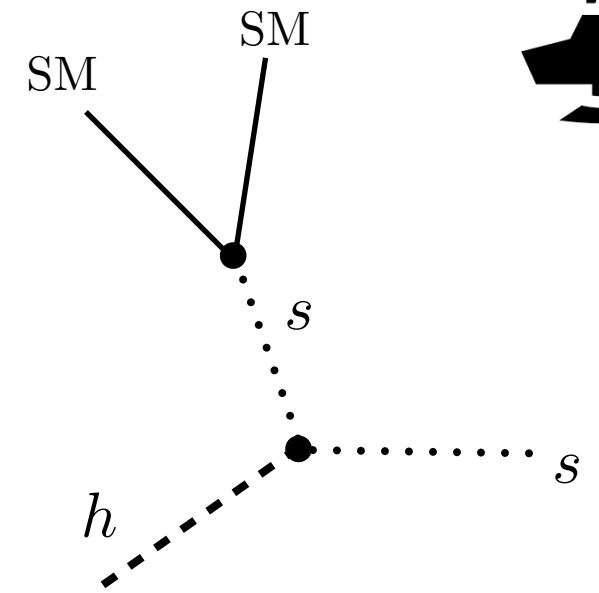


ANUBIS: sensitivity

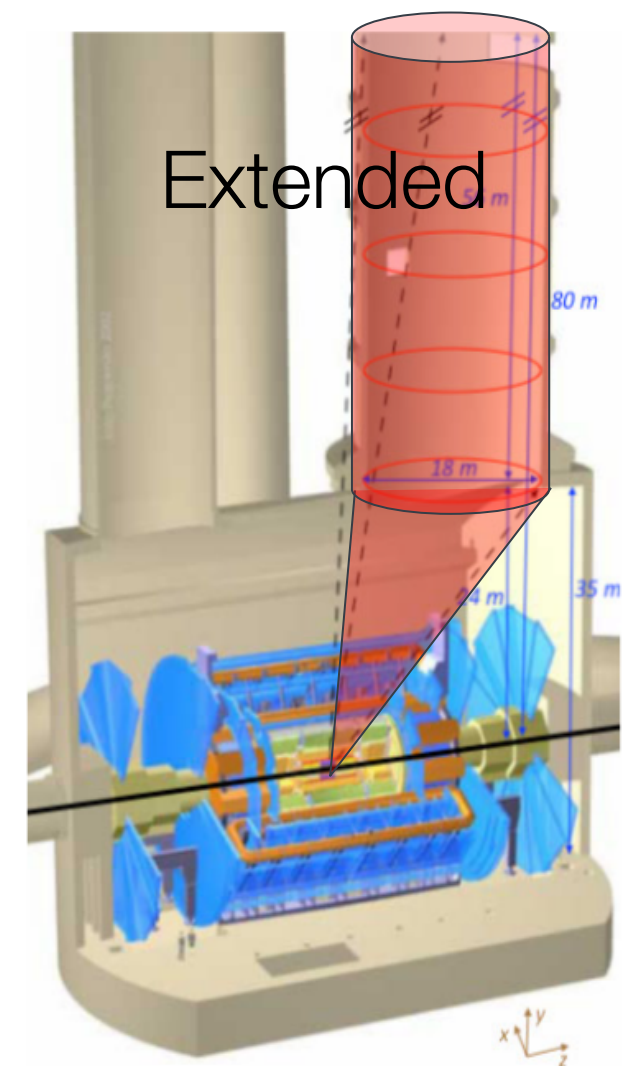
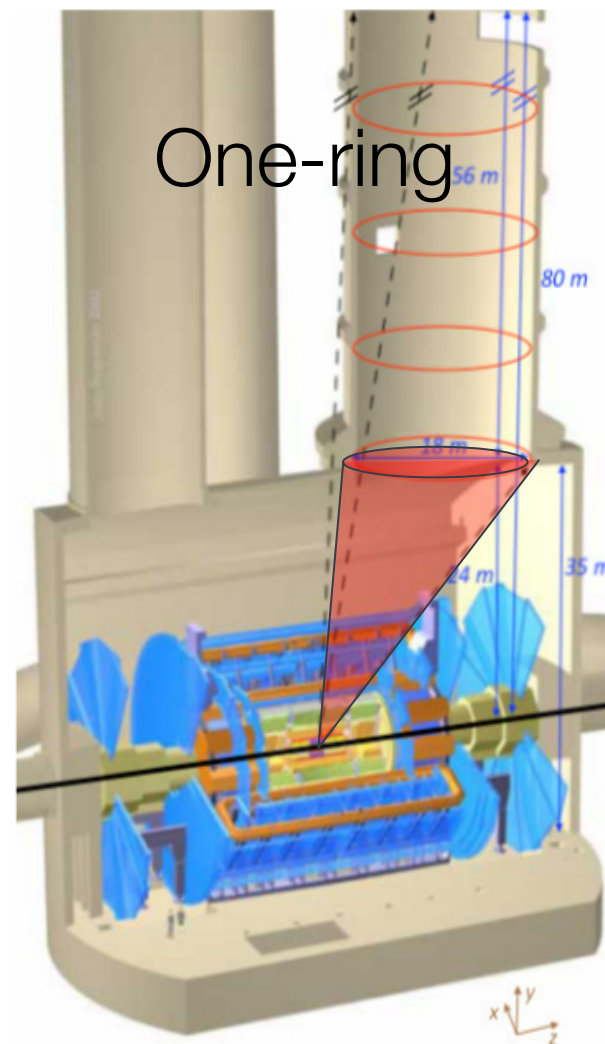
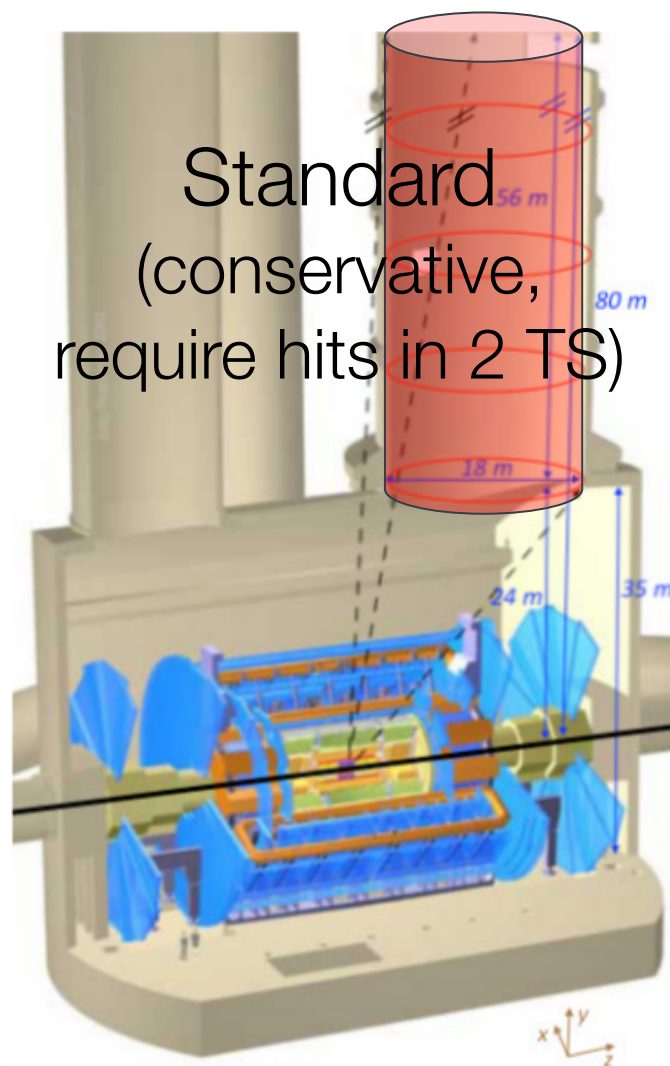


Sensitivity study for exotic Higgs decays

$$\mathcal{L} = \lambda s^2 H^\dagger H \quad h \rightarrow ss, s \rightarrow \text{SM SM}$$



We studied three geometries:

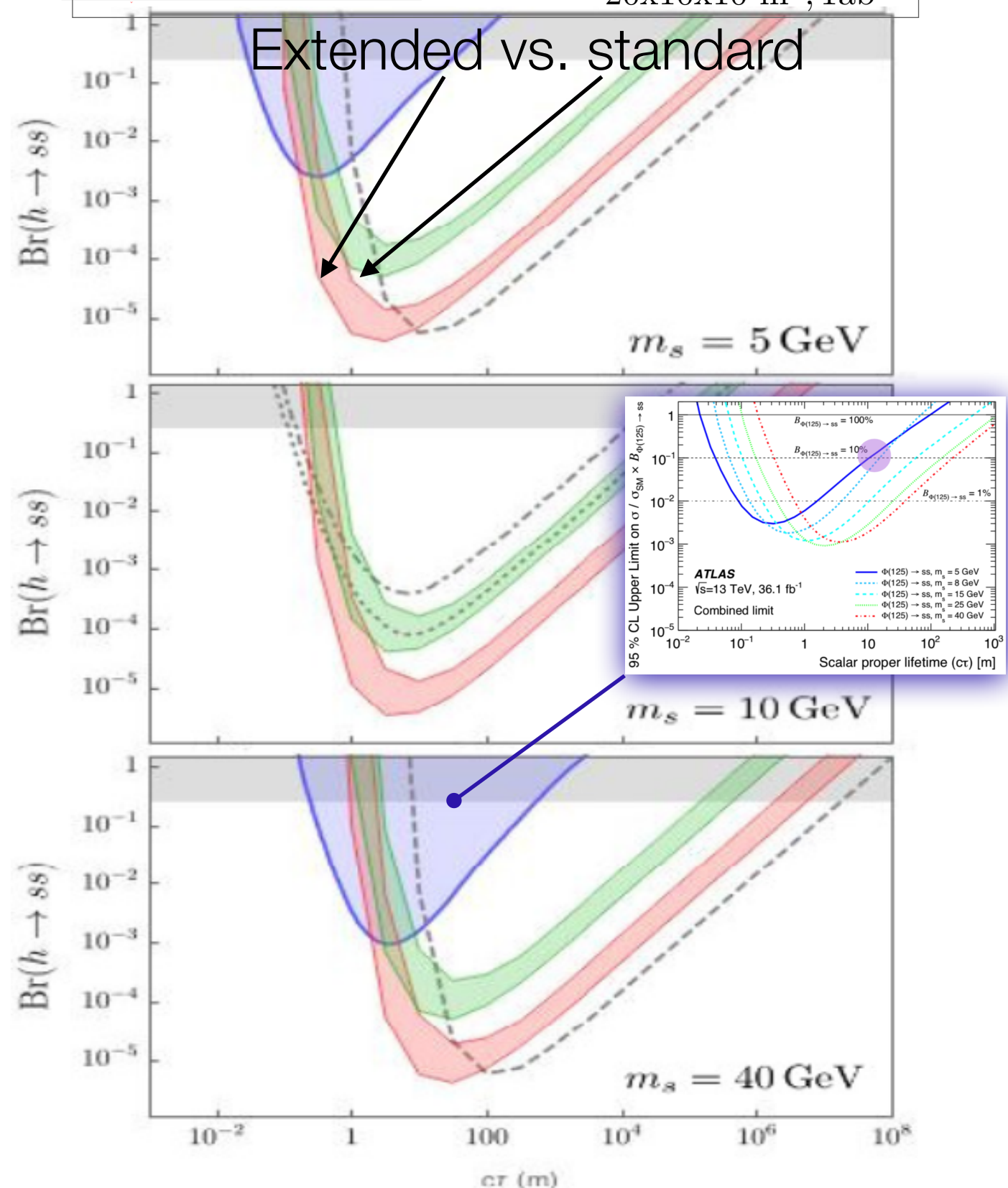
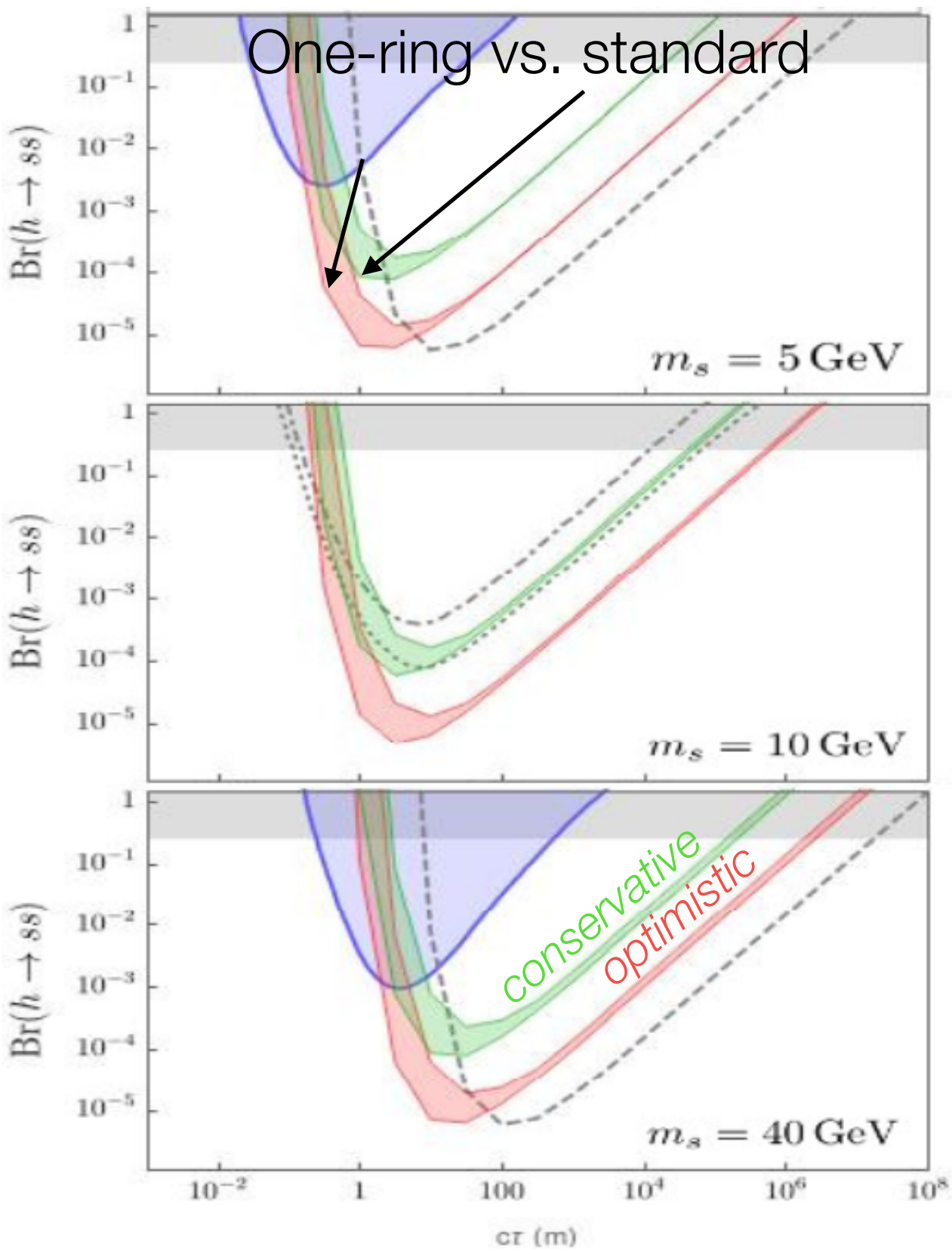


ANUBIS: sensitivity



200 x 200 x 20 m³ decay volume →

- | | | | |
|--|--|--|--|
| | ANUBIS
4 events, 3 ab ⁻¹ | | ANUBIS
50 events, 3 ab ⁻¹ |
| | ATLAS
36 fb ⁻¹ | | CODEX-b
10x10x10 m ³ , 300fb ⁻¹ |
| | MATHUSLA
3 ab ⁻¹ | | CODEX-b
20x10x10 m ³ , 1ab ⁻¹ |





ANUBIS: sensitivity

Hirsch, Wang 2001.04750

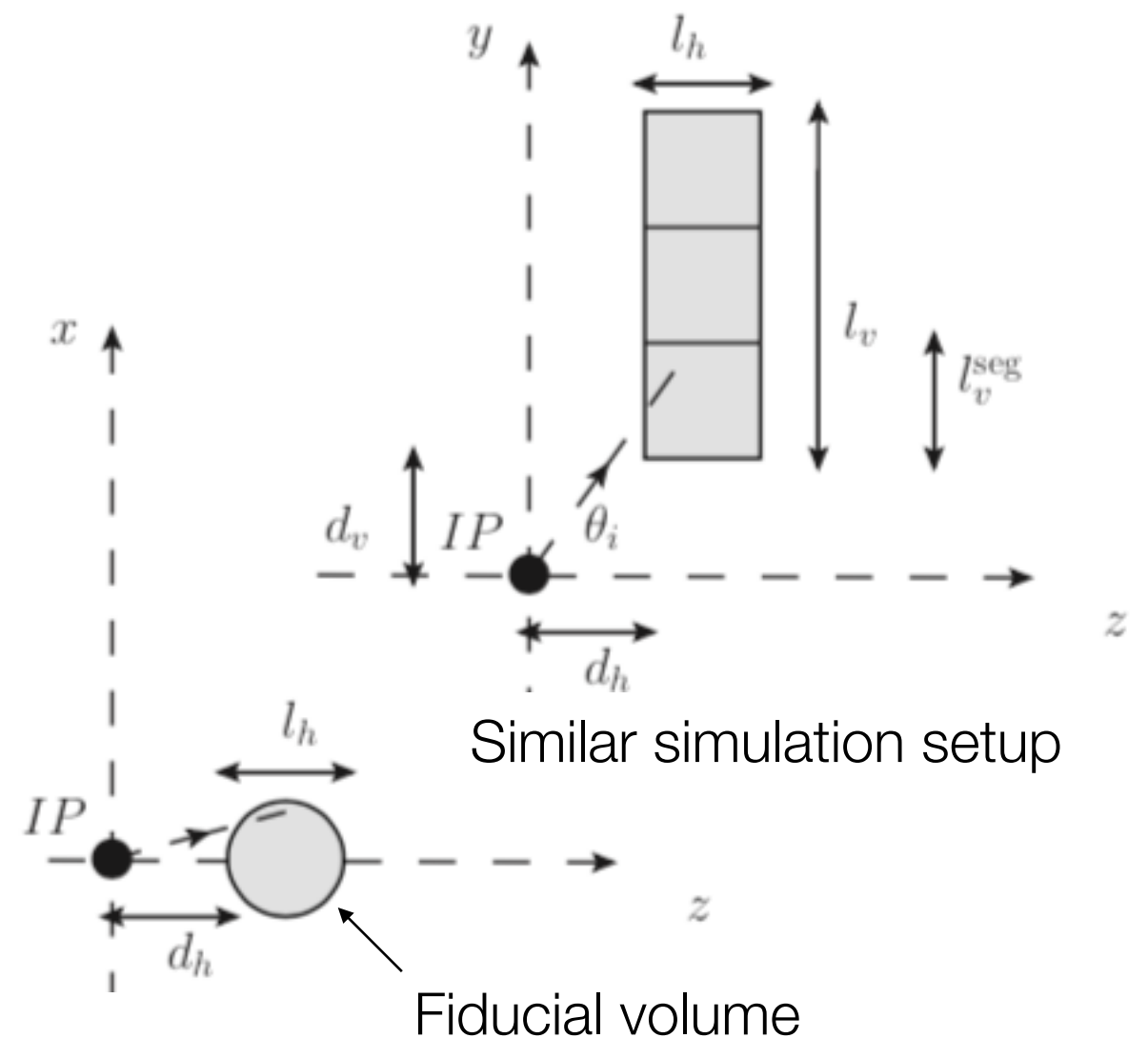
Sensitivity study for Heavy Neutral Leptons (“sterile neutrinos”)

a) minimal scenario, Seesaw Type-I:

$$\mathcal{L} = \frac{g}{\sqrt{2}} \underbrace{V_{\alpha N_j}}_{\text{mixing with active } \nu} \bar{\ell}_\alpha \gamma^\mu P_L \underbrace{N_j}_{\text{heavy neutrinos}} W_{L\mu}^- + \frac{g}{2 \cos \theta_W} \sum_{\alpha, i, j} \underbrace{V_{\alpha i}^L V_{\alpha N_j}^*}_{\text{mixing in active } \nu \text{ sector}} \bar{N}_j \gamma^\mu P_L \nu_i Z_\mu$$

Similar simulation setup:

- Require the LLP to decay within fiducial volume
- 3 ab⁻¹ at 14 TeV
- Optimistic scenario considered
- Assume one additional heavy lepton, light enough for LHC





ANUBIS: sensitivity

Hirsch, Wang 2001.04750

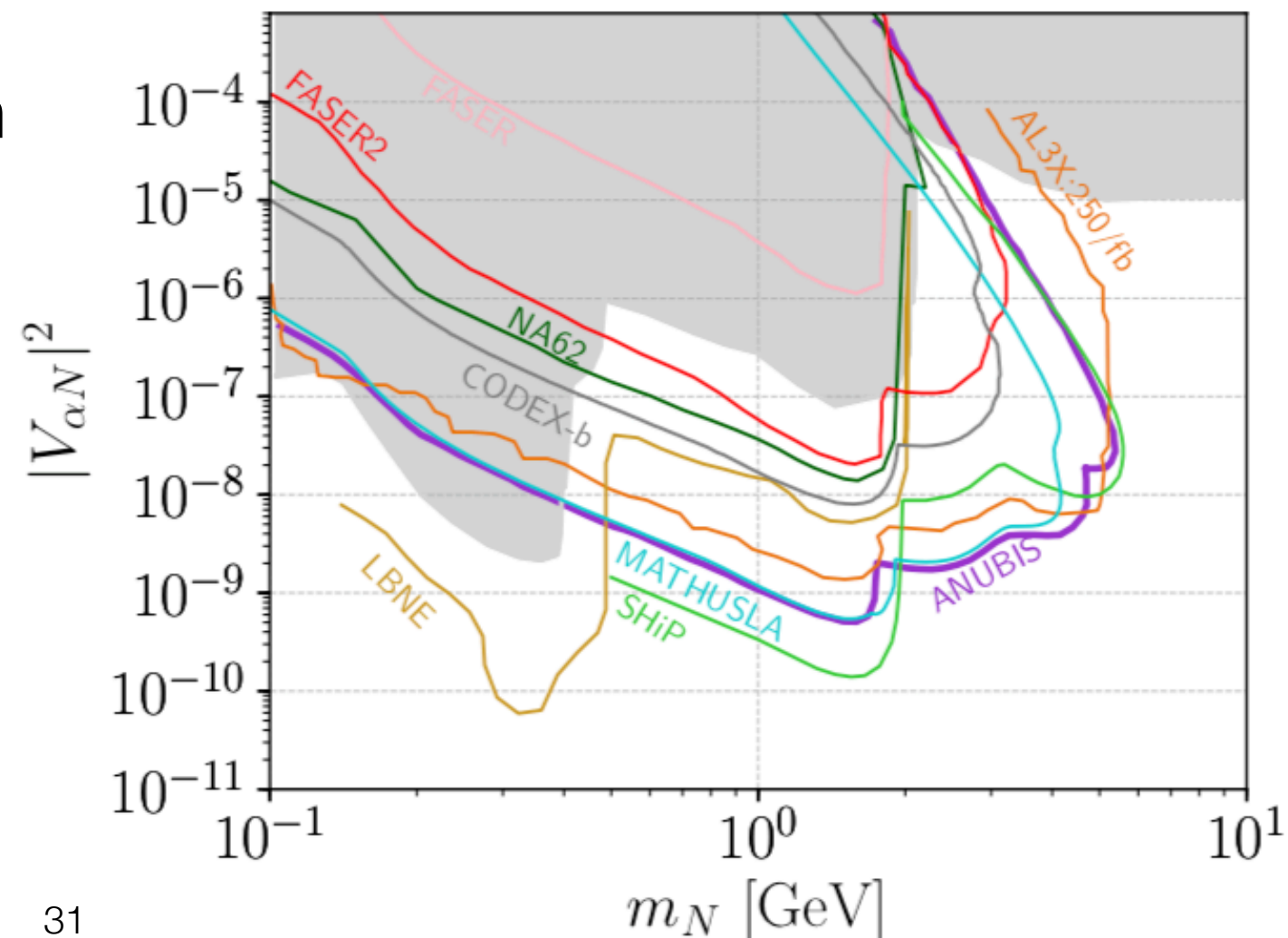
Sensitivity study for Heavy Neutral Leptons (“sterile neutrinos”)

a) minimal scenario, Seesaw Type-I:

$$\mathcal{L} = \frac{g}{\sqrt{2}} \underbrace{V_{\alpha N_j}}_{\text{mixing with active } \nu} \bar{\ell}_\alpha \gamma^\mu P_L \underbrace{N_j}_{\text{heavy neutrinos}} W_{L\mu}^- + \frac{g}{2 \cos \theta_W} \sum_{\alpha, i, j} \underbrace{V_{\alpha i}^L V_{\alpha N_j}^*}_{\text{mixing in active } \nu \text{ sector}} \bar{N}_j \gamma^\mu P_L \nu_i Z_\mu$$

Similar simulation setup:

- Require the LLP to decay within fiducial volume
- 3 ab⁻¹ at 14 TeV
- Optimistic scenario considered
- Assume one additional heavy lepton, light enough for LHC



ANUBIS: sensitivity



Hirsch, Wang 2001.04750

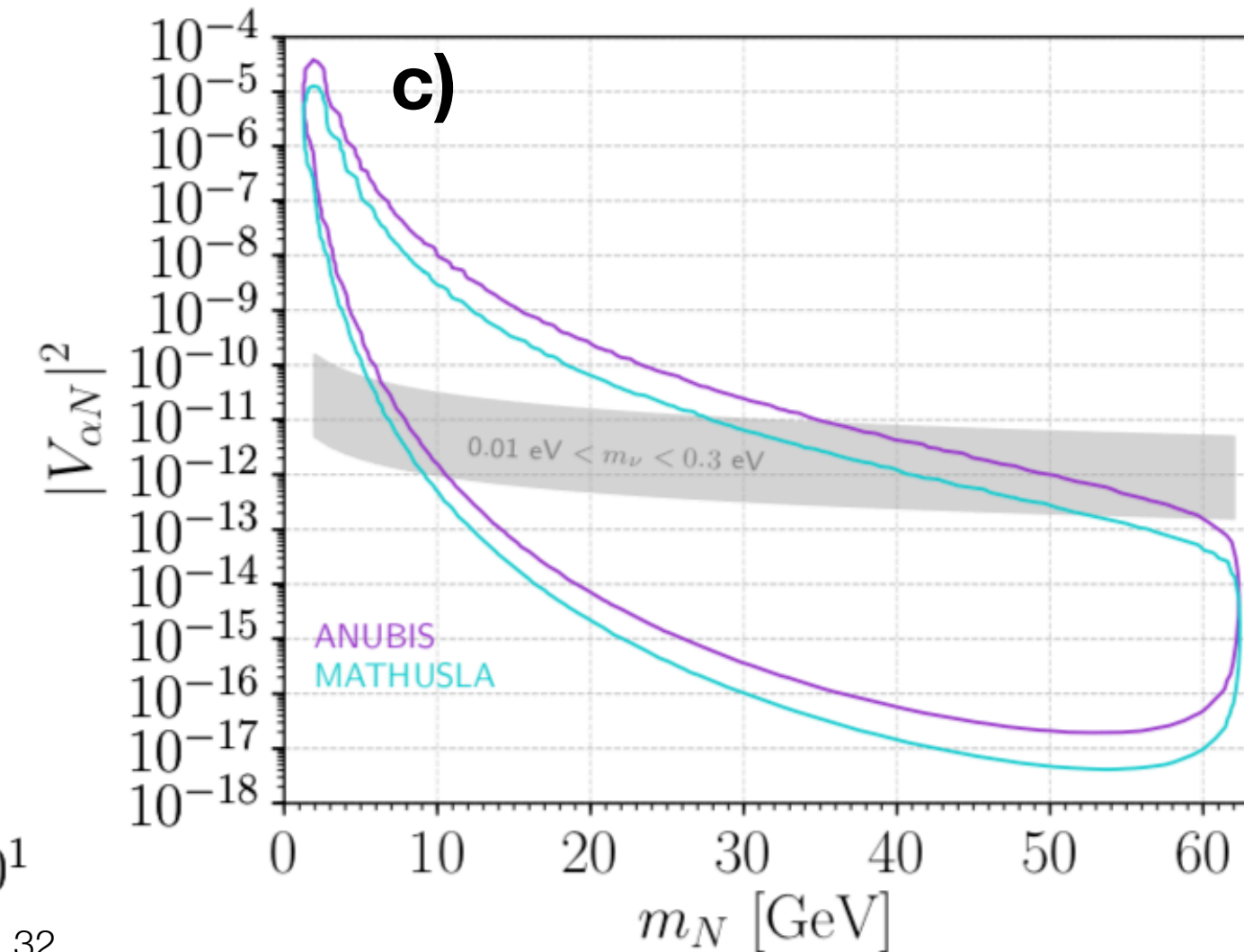
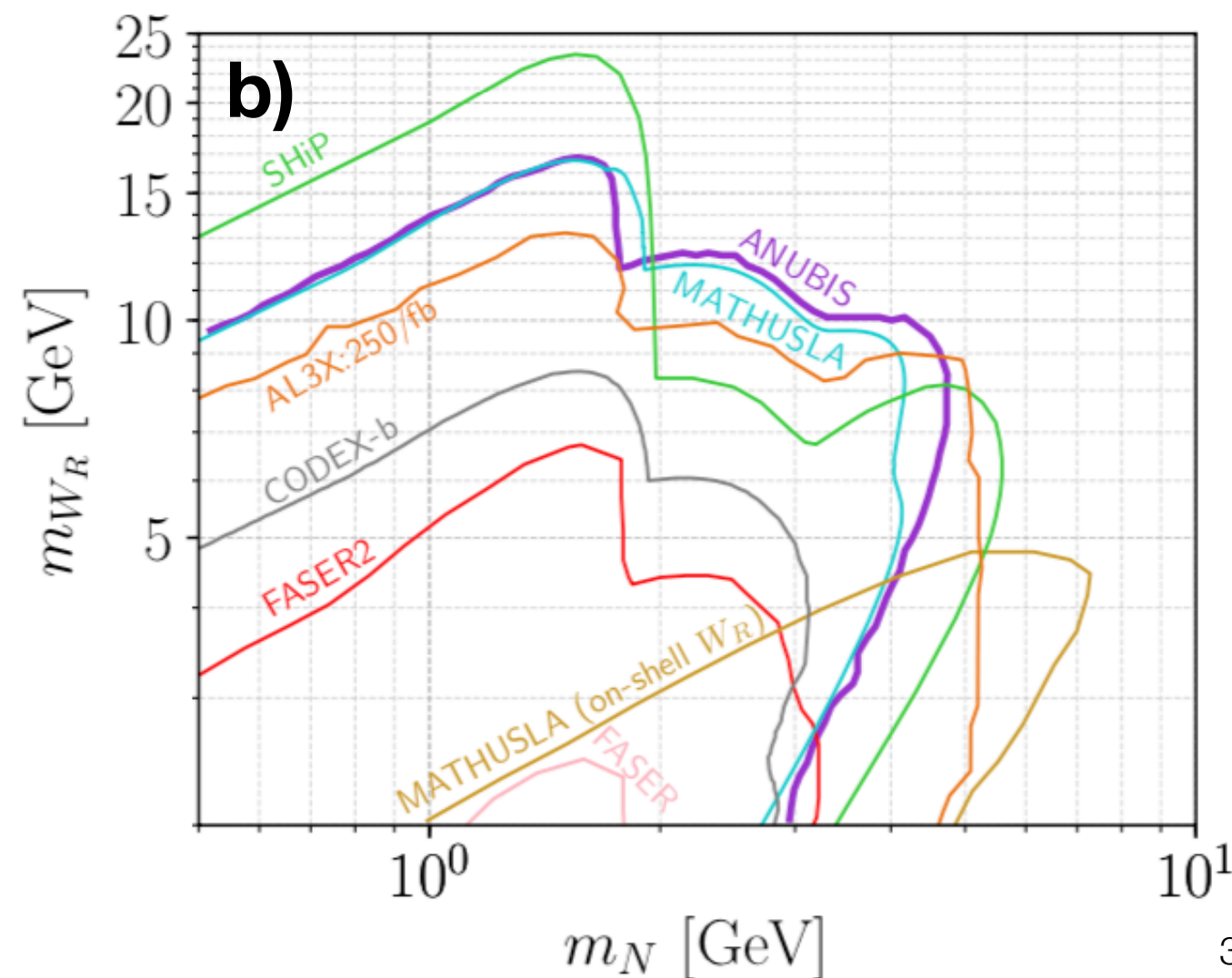
Sensitivity study for Heavy Neutral Leptons (“sterile neutrinos”)

b) minimal left-right symmetric model:

$$SU(3)_C \times SU(2)_L \times SU(2)_R \times U(1)_{B-L}$$

c) gauged $U(1)_{B-L}$ model:

$U(1)_{B-L}$ + extra Higgs boson breaking it



ANUBIS: sensitivity



Hirsch, Wang 2001.04750

Heavy neutral leptons at ANUBIS

Martin Hirsch^{1,*} and Zeren Simon Wang^{2,†}

¹*AHEP Group, Instituto de Física Corpuscular – CSIC/Universitat de València
Calle Catedrático José Beltrán, 2 E-46980 Paterna, Spain*

²*Asia Pacific Center for Theoretical Physics (APCTP) - Headquarters San 31,
Hyoja-dong, Nam-gu, Pohang 790-784, Korea*

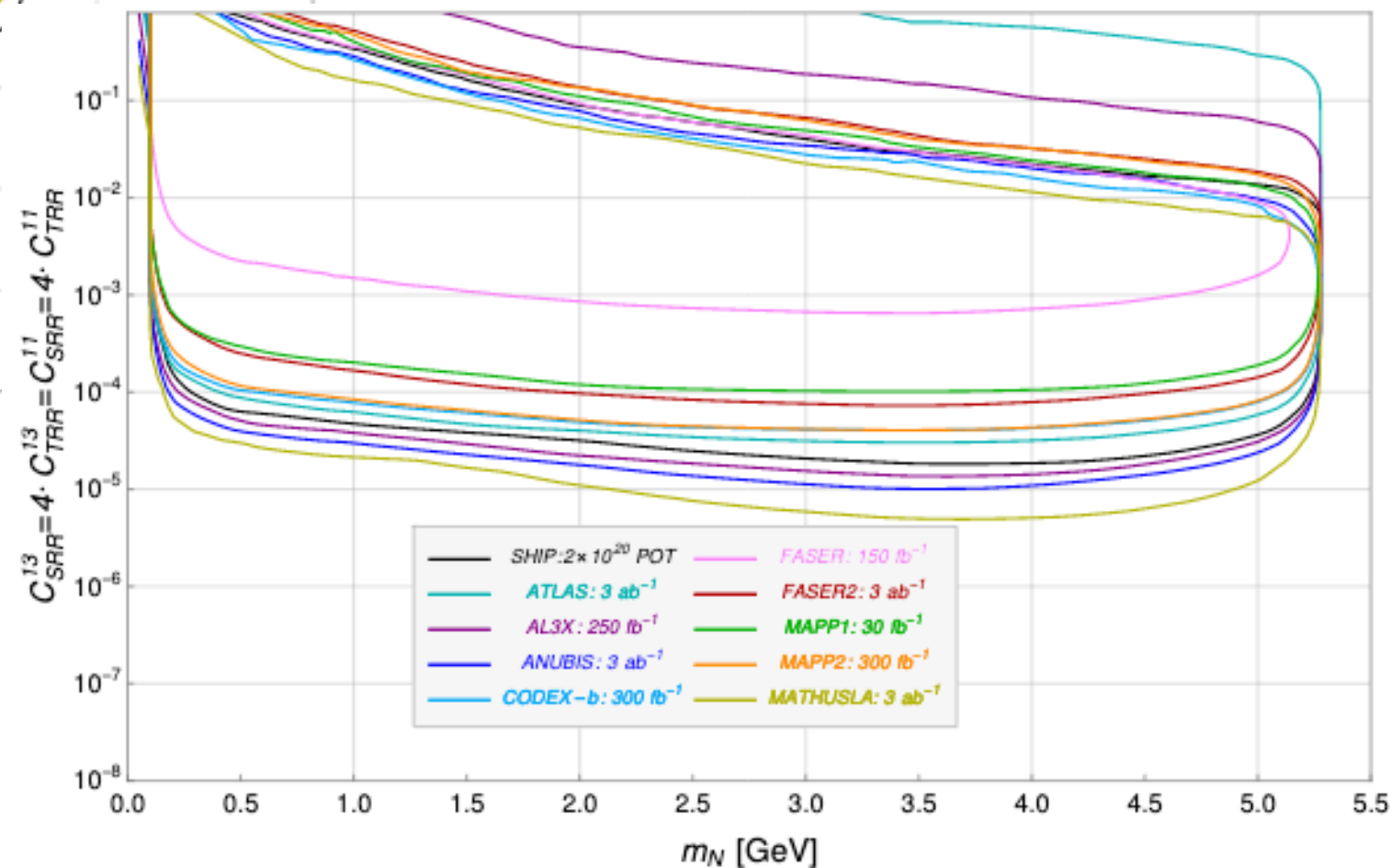
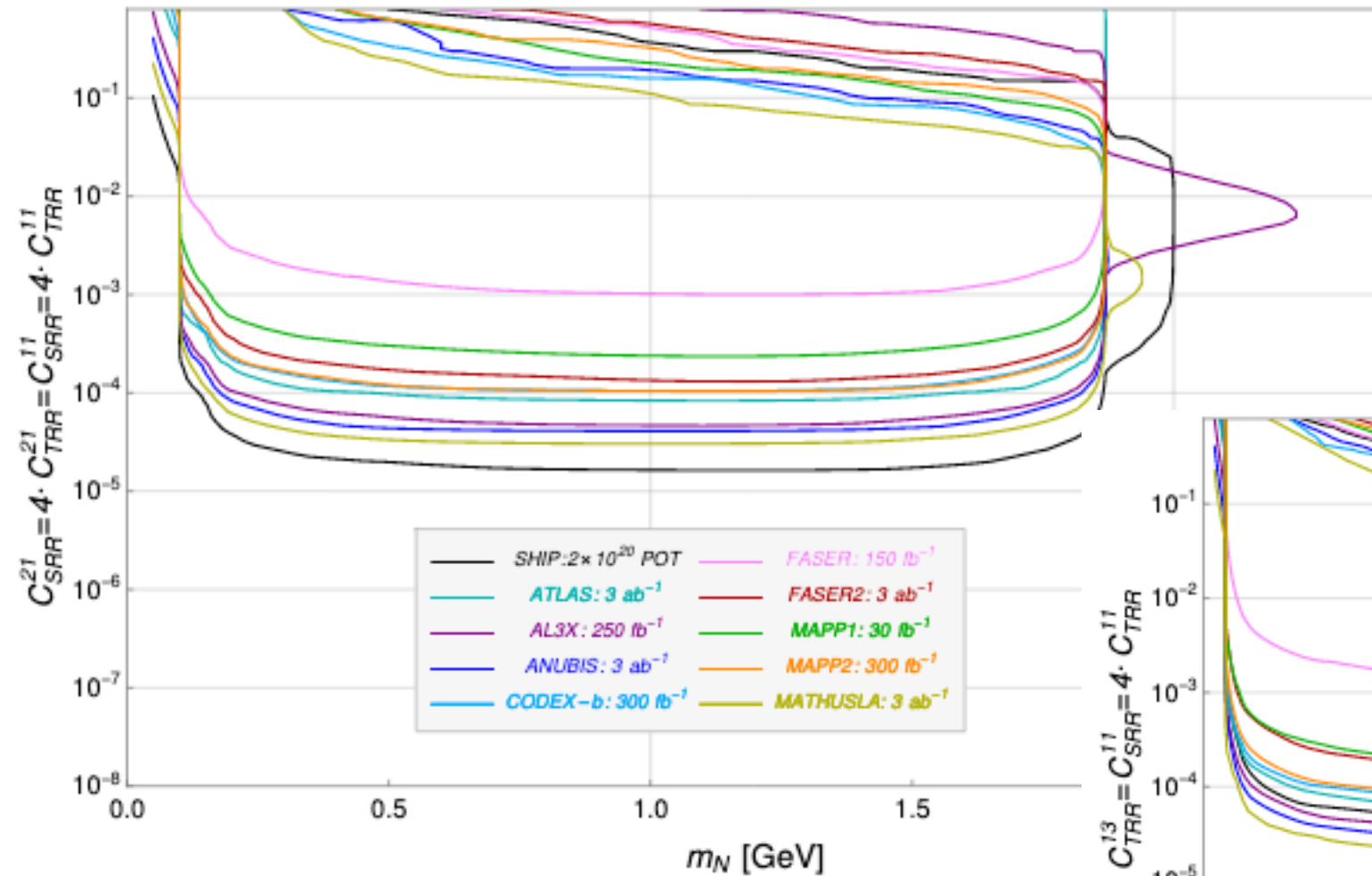
Recently Bauer *et al.* [1] proposed ANUBIS, an auxiliary detector to be installed in one of the shafts above the ATLAS or CMS interaction point, as a tool to search for long-lived particles. Here, we study the sensitivity of this proposal for long-lived heavy neutral leptons (HNLs) in both minimal and extended scenarios. We start with the minimal HNL model where both production and decay of the HNLs are mediated by active-sterile neutrino mixing, before studying the case of right-handed neutrinos in a left-right symmetric model. We then consider a $U(1)_{B-L}$ extension of the SM. In this model HNLs are produced from the decays of the mostly SM-like Higgs boson, via mixing in the scalar sector of the theory. In all cases, we find that ANUBIS has sensitivity reach comparable to the proposed MATHUSLA detector. For the minimal HNL scenario, the contributions from W 's decaying to HNLs are more important at ANUBIS than at MATHUSLA, extending the sensitivity to slightly larger HNL masses at ANUBIS.

ANUBIS: sensitivity



de Vries, Reiner, Günther, Wang, Zhou 2010.07035

Long-lived Sterile Neutrinos at the LHC in Effective Field Theory



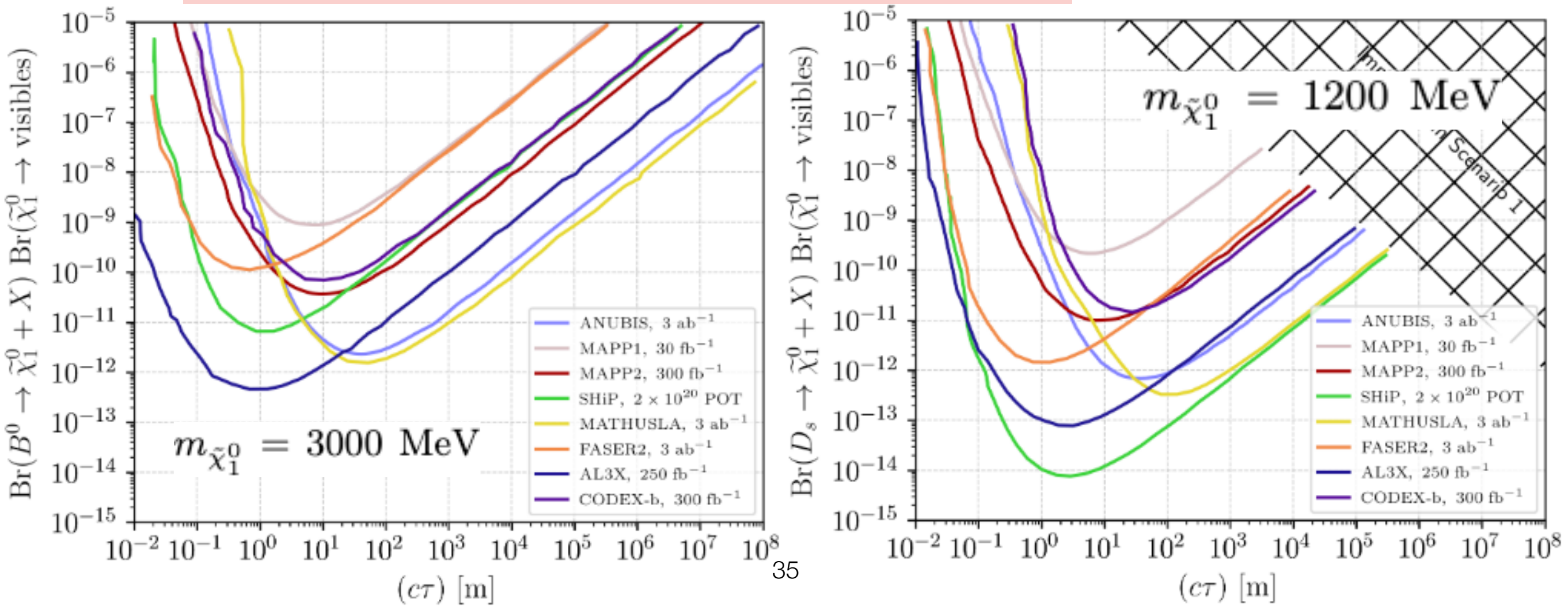
ANUBIS: sensitivity



Dreiner, Günther, Wang 2008.07539

R-parity Violation and Light Neutralinos at ANUBIS and MAPP

In R-parity-violating supersymmetry the lightest neutralino can be very light, even massless. For masses in the range $500 \text{ MeV} \lesssim m_{\tilde{\chi}_1^0} \lesssim 4.5 \text{ GeV}$ the neutralino can be produced in hadron collisions from rare meson decays via an R-parity violating coupling, and subsequently decay to a lighter meson and a charged lepton. Due to the small neutralino mass and for small R-parity violating coupling the lightest neutralino is long-lived, leading to displaced vertices at fixed-target and collider experiments. In this work, we study such signatures at the proposed experiments ANUBIS and MAPP at the LHC. We also compare their sensitivity reach in these scenarios with that of other present and proposed experiments at the LHC such as ATLAS, CODEX-b, and MATHUSLA. We find that ANUBIS and MAPP can show complementary or superior sensitivity.



ANUBIS: advantages



- **Up to 10^3 better sensitivity** compared current or approved future experiments for massive neutral LLPs with $10^2 < c\tau/m < 10^8$

ANUBIS: advantages



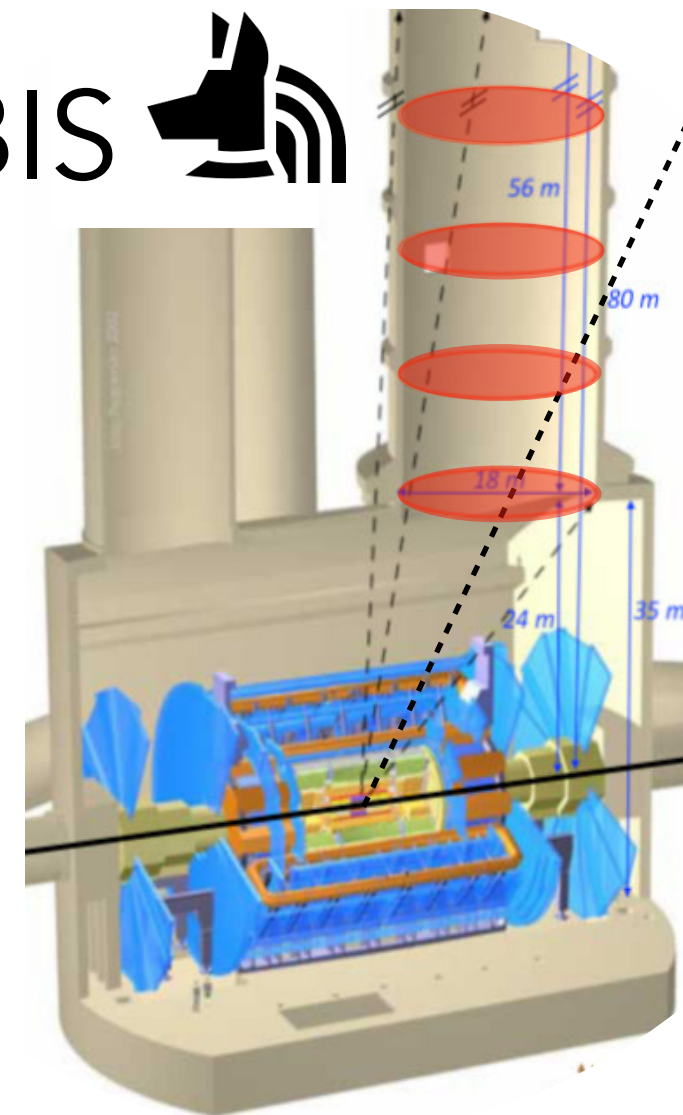
- **Up to 10^3 better sensitivity** compared current or approved future experiments for massive neutral LLPs with $10^2 < c\tau/m < 10^8$
- Moderate costs: **~10 MCHF**

ANUBIS: advantages



- **Up to 10^3 better sensitivity** compared current or approved future experiments for massive neutral LLPs with $10^2 < c\tau/m < 10^8$
- Moderate costs: **~10 MCHF**
- **Large and projective** decay volume

ANUBIS 

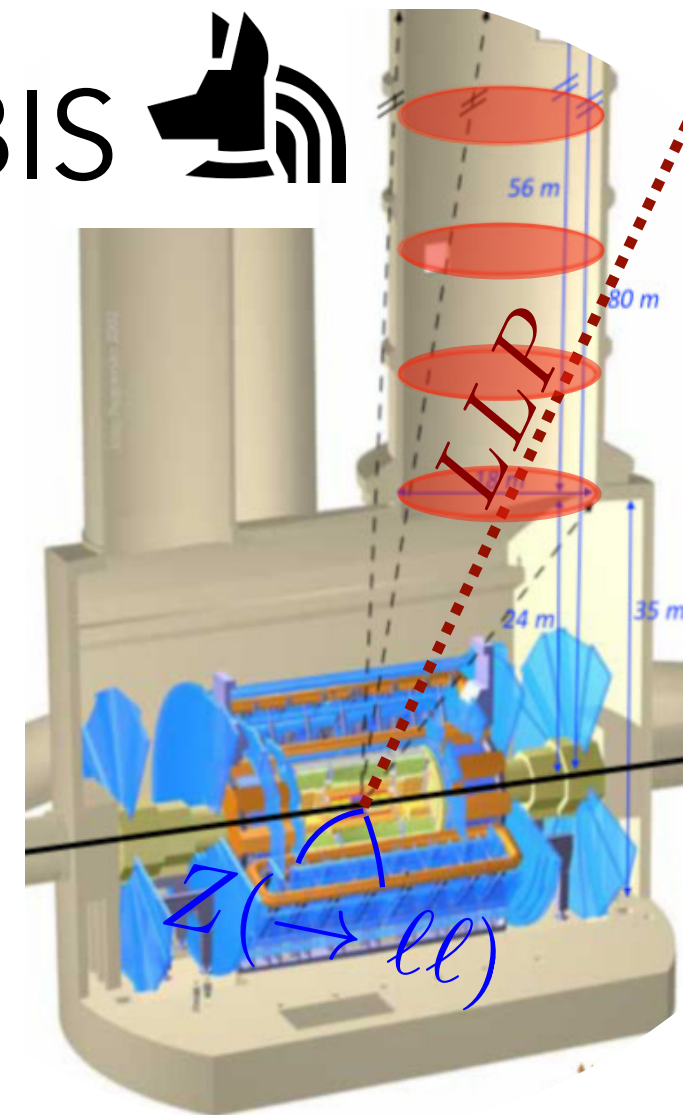


ANUBIS: advantages



- **Up to 10^3 better sensitivity** compared current or approved future experiments for massive neutral LLPs with $10^2 < c\tau/m < 10^8$
- Moderate costs: **~10 MCHF**
- **Large and projective** decay volume
- Adjacency to ATLAS (and/or CMS):
 - ANUBIS can trigger ATLAS (and/or CMS)
 - **Full picture of the event (unique)**
 - Crucial if LLPs produced with SM particles!
 - E.g. gauge-med. SUSY, split SUSY, etc. [1]
 - E.g. Z+ALPs: $Z(\rightarrow \ell\ell)a(\rightarrow \gamma\gamma)$, etc. [2]

ANUBIS 



[1] Recent review: Lee, Ohm, Soffer, Yu, 1810.12602

[2] Bauer, Heiles, Neubauer, Thamm, 1808.10323



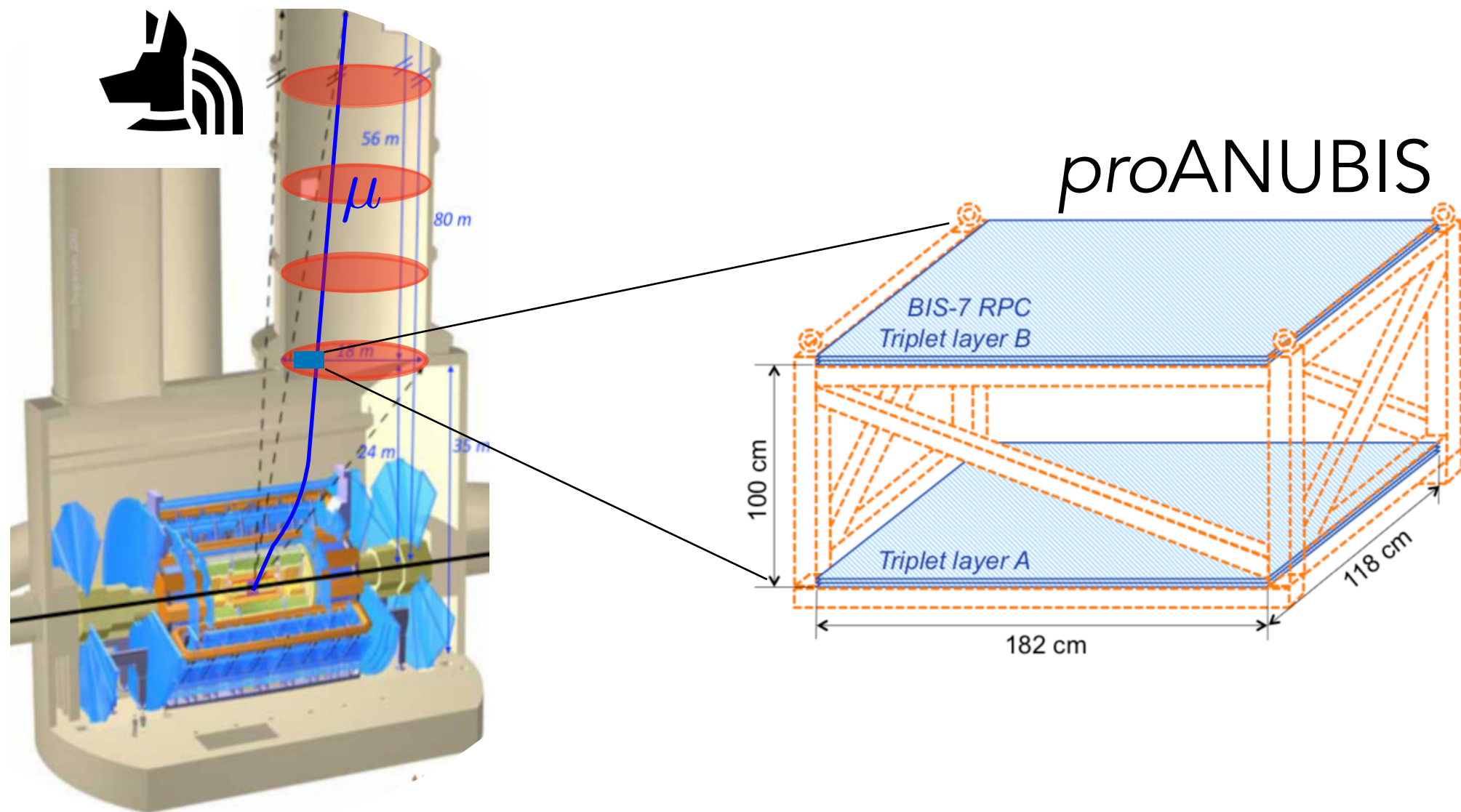
Conclusions

- **AN U**nderground **B**elayed **I**n-**S**haft search experiment is a cost-effective (< 10M€) alternative to optimise the LHC reach searching for LLPs produced orthogonal to the beam direction
- Unique opportunity to **close the gap** $10^2 < c\tau/m < 10^8$!
- Existing geometry and infrastructure minimise civil engineering
- ANUBIS' physics reach is comparable to CODEX-b and MATHUSLA
- **Unique feature:** adjacency & trigger integration with ATLAS to provide a **full picture of event**
- ANUBIS is **1:1 transferrable to CMS** using its main PX56 shaft
- ANUBIS combinable with other search strategies



Next Steps

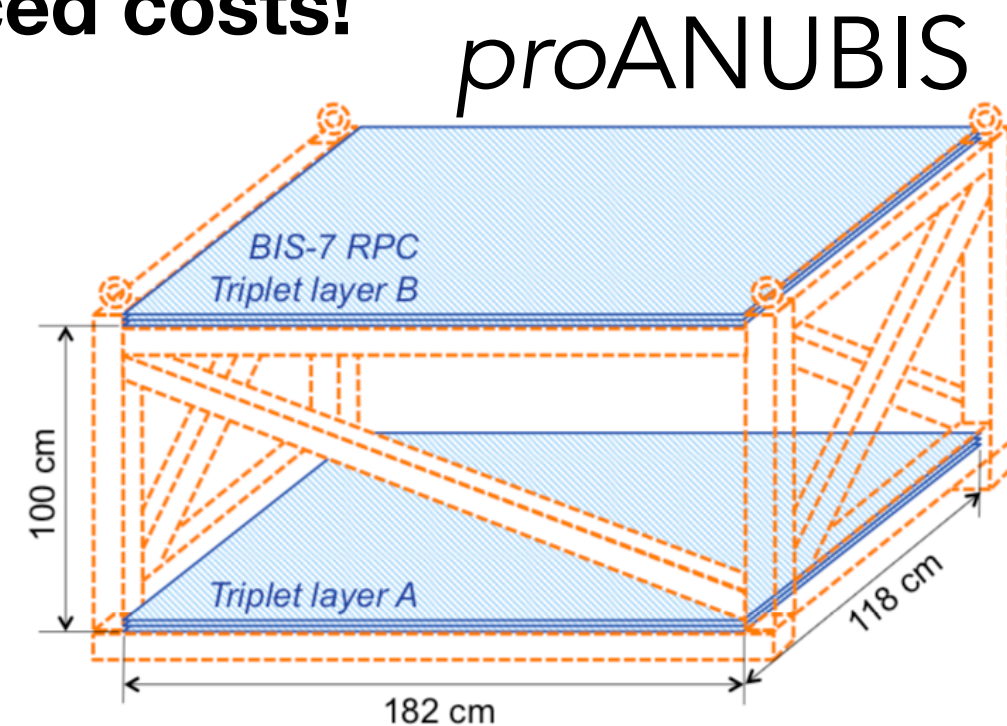
- **proANUBIS:** two $1.8 \times 1.2 \times 1 \text{ m}^3$ prototypes:
 - **Measure fluxes** in PX14 shaft & **correlate** to ATLAS (Run 3)





Next Steps

- **proANUBIS:** two $1.8 \times 1.2 \times 1 \text{ m}^3$ prototypes:
 - **Measure fluxes** in PX14 shaft & **correlate** to ATLAS (Run 3)
 - R&D for **next RPC generation** for LLP search detectors
 - Eco-gas + ageing, reduced pitch, fully integrated R/O electronics, **improved timing & reduced costs!**





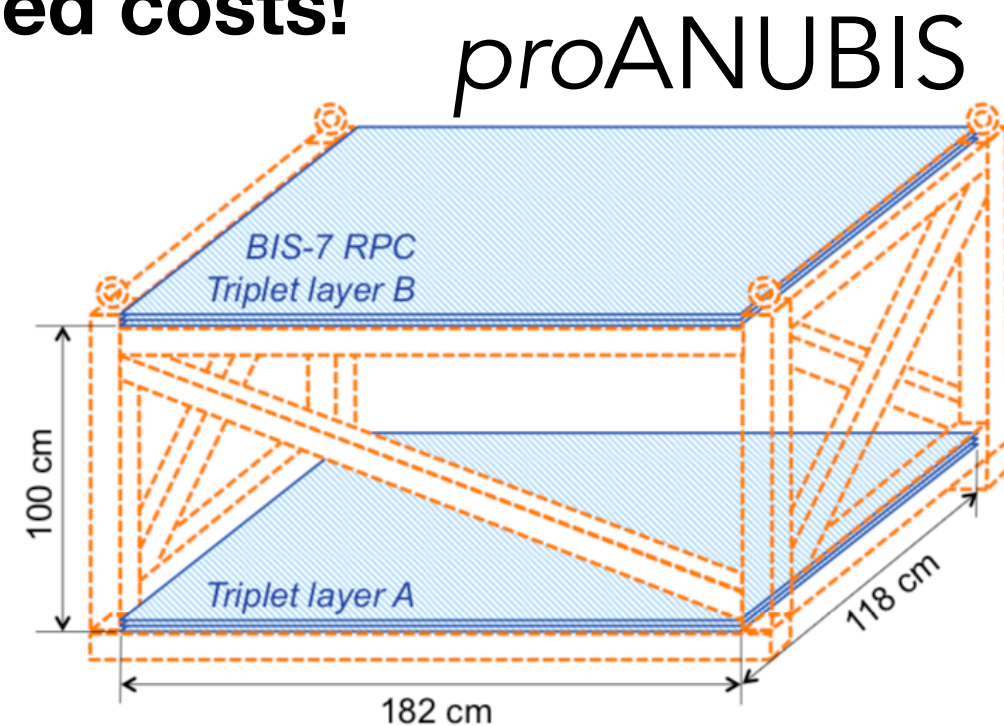
Next Steps

- **proANUBIS:** two $1.8 \times 1.2 \times 1 \text{ m}^3$ prototypes:
 - **Measure fluxes** in PX14 shaft & **correlate** to ATLAS (Run 3)
 - R&D for **next RPC generation** for LLP search detectors
 - Eco-gas + ageing, reduced pitch, fully integrated R/O electronics, **improved timing & reduced costs!**

- **Detailed simulations**, full GEANT4 model
 - Correlate results with *proANUBIS*

- **Exciting & intense years ahead of us:**

- Pre-production in 4 years (one tracking station octant)
- Assembly, installation, commissioning in time for HL-LHC!





Thank you!

ANUBIS: sensitivity

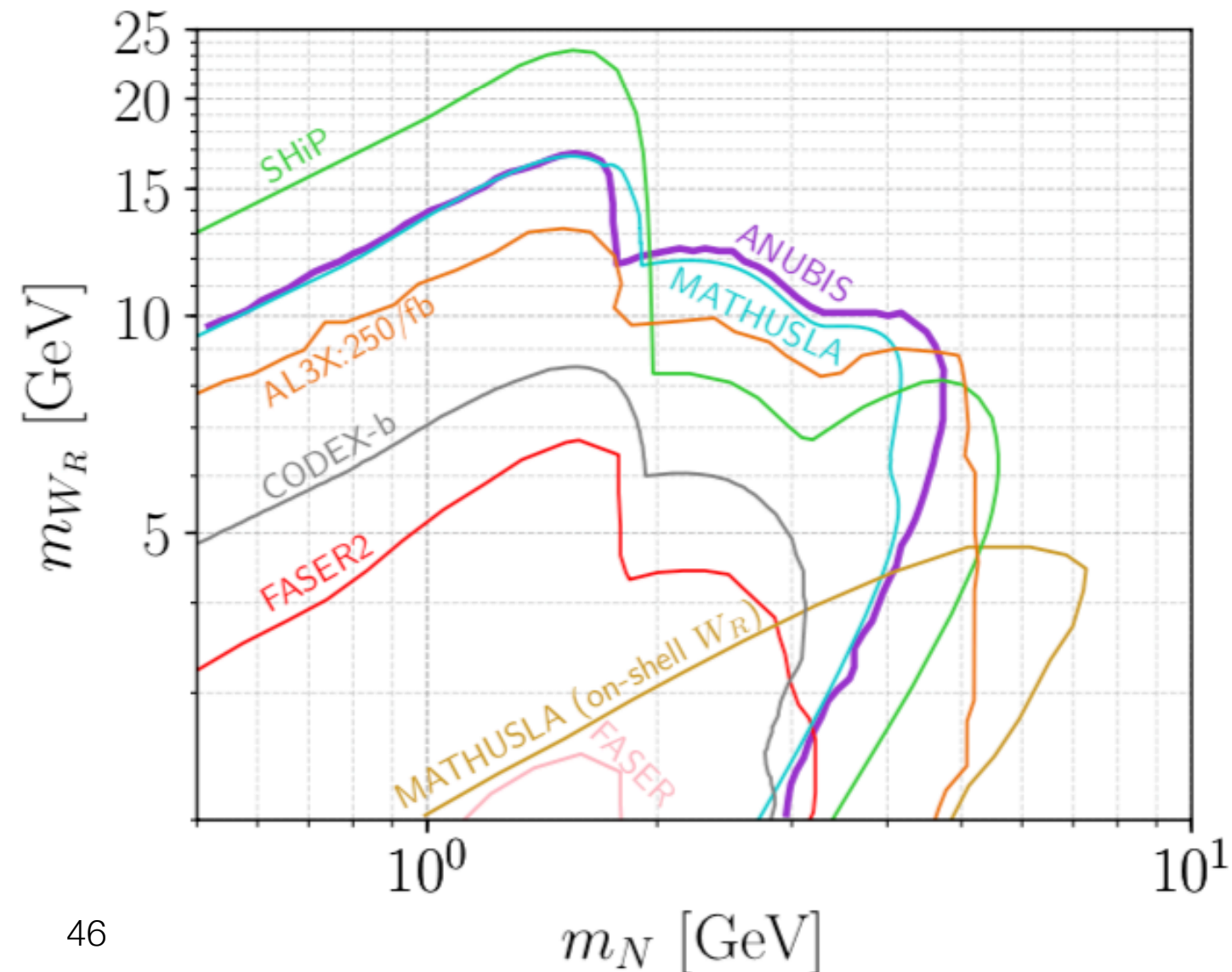


Hirsch, Wang 2001.04750

Sensitivity study for Heavy Neutral Leptons (“sterile neutrinos”)
 b) minimal left-right symmetric model:

$$\mathcal{L} = \frac{g_R}{\sqrt{2}} (\bar{d}\gamma^\mu P_R u + \underline{V_{\alpha N}^R} \cdot \bar{l}_\alpha \gamma^\mu P_R \underline{N}) W_{R\mu}^- +$$

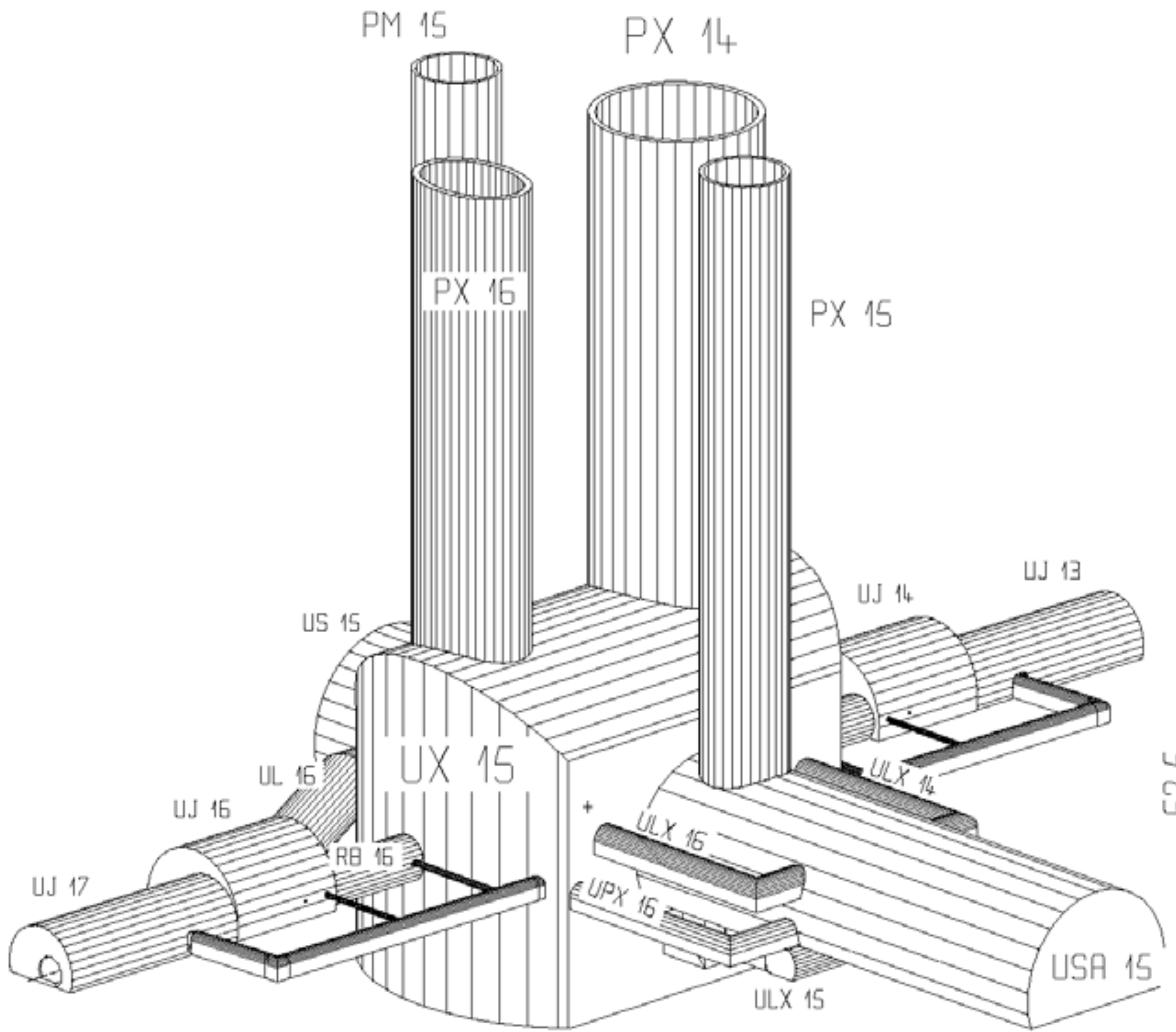
$$+ \frac{g_R}{\sqrt{1 - \tan^2 \theta_W (g_L/g_R)^2}} Z_{LR}^\mu \bar{f} \gamma_\mu [T_{3R} + \tan^2 \theta_W (g_L/g_R)^2 (T_{3L} - Q)] f$$





ANUBIS - other backgrounds

- Background from cosmic ray muons negligible:
veto using timing and directional requirements
- Non-collision backgrounds negligible:
ANUBIS is ~orthogonal to the beam line, while non-collision backgrounds feature a pronounced boost along the beam line
- Background from thermal neutrons decays negligible:
too little energy
- Once >2 tracks required for the displaced vertex, any residual backgrounds from n , KL are rendered negligible
- Certainly background-free when 2 displaced vertices required:
 - one within ANUBIS for triggering
 - one can be in ANUBIS or anywhere in ATLAS



- Narrow gap (~ 1 mm) RPCs with 1.27-mm-pitch long strips reading from both strip ends give:
 - » Precision coordinate: $<220 \mu\text{m}$ spatial resolution using charge centroid;
 $<300 \mu\text{m}$ only using signal arrival time information
(could be used for fast tracking at trigger level).
 - » Non-precision coordinate: ~ 7 mm using 100 ps TDCs
 - » High Efficiency: $>97\%$
 - » Time resolution: <500 ps
- Excellent timing performance would allow to do **fast coincidence within few ns** between contiguous detectors and to be used for Time of Flight measurements
- **O(sub-mm x cm x sub-ns) virtual trigger cells** created will be powerful to remove uncorrelated backgrounds as soon and as much as possible.

